



# Z890-110

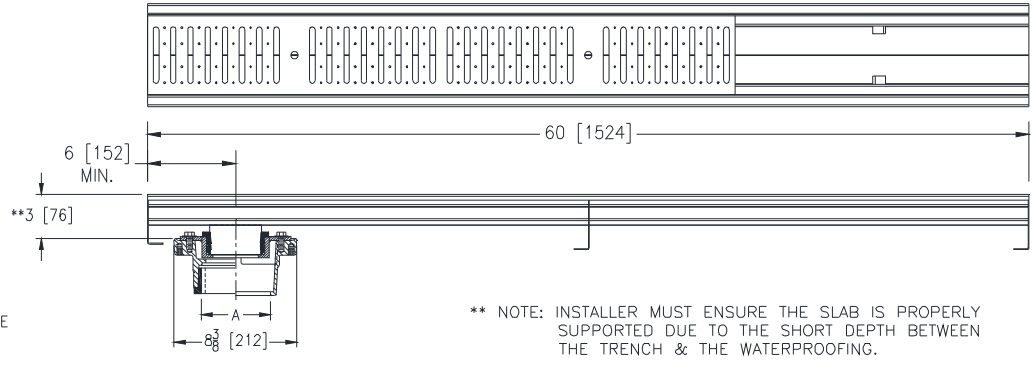
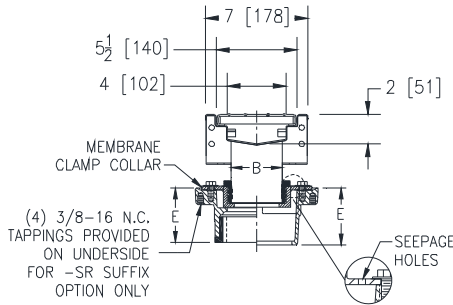
## 7 [178] WIDE REVEAL, 2 [51] DEEP TRENCH DRAIN SYSTEM W/LOWER DRAIN ASSEMBLY

SPECIFICATION SHEET

TAG \_\_\_\_\_

Dimensional Data (inches and [ mm ]) are Subject to Manufacturing Tolerances and Change Without Notice

SPECIFYING ENGINEER IS RESPONSIBLE FOR CONCRETE ENCASEMENT AND REINFORCING BASED UPON APPLICATION AND LOCAL CODES



### ENGINEERING SPECIFICATION: Zurn Z890-110

Channels are 60" [1524mm] long, 7" [178mm] wide, 4" [102mm] throat, and a 2" [51mm] depth. Modular channel sections are made of 16 ga. fabricated Stainless Steel conforming to ASTM A-240 (type 304). Channels have a bolted, flanged connection between channel sections that will not separate during the installation, gaskets available. Channels weigh less than 2.31 lbs. [1.05kg] per linear foot, have a smooth, 1-1/2" [38mm] radiused self cleaning bottom with a Manning's coefficient of .009 and 1.04% or neutral 0% built in slope. Channels have feet for patty pour or leveling studs standard to secure trench in its final location. Channels are provided with standard FS grates that lock down to frame. Zurn 6" [152mm] wide reveal Fabricated Stainless Steel Grate conforming to ASTM specification A-240, (type 304), is rated class A per the DIN EN1433 top load classification. Supplied in 40" [1016mm] nominal lengths with 5/16" [8mm] wide slots, and 3/4" [19mm] bearing depth. Grate has an open area of 12.00 sq. in per ft. [7,742 sq. mm per meter]. Channels shall be produced in the U.S.A. complete with an extended no-hub bottom outlet for connection to dura coated cast iron Z415 lower body assembly with neo-loc adapter and weep holes.

PIPE SIZE (Lower Body)	(Specify size/type) OUTLET	'E' BODY HT. DIM.
2,3,4 [51,76,102]	— IC Inside Caulk	3-7/8 [98]
2,3,4 [51,76,102]	— IG Inside Gasket	3-7/8 [98]
2 [51]	— P Threaded	2-3/8 [60]
3 [76]	— P Threaded	2-5/8 [67]
4 [102]	— P Threaded	2-7/8 [73]
2,3,4 [51,76,102]	— NH No-Hub	3-7/8 [98]
2,3,4 [51,76,102]	— NL Neo-Loc	3-3/4 [95]

A Pipe Size	B Trench Outlet
2,3,4 [51,76,102]	2,3 [51,76]

**NO-HUB BOTTOM OUTLET SIZE (Trench)**  
 2 [51] \_\_\_\_\_ 3 [76] \_\_\_\_\_ 4 [102] \_\_\_\_\_

**PREFIX OPTIONS (Check/specify appropriate options)**  
 \_\_\_ Z Five-foot, Type 304 Stainless Steel\*

**SUFFIX OPTIONS (Check/specify appropriate options)**

**Outlet Adapters Add/Each**  
 \_\_\_ -E1 Closed End Cap                      \_\_\_ -U2 2 [51] No-Hub Bottom Outlet

**Grate Options (Load Classifications are per DIN EN1433)**  
 \_\_\_ -GG Fiberglass Grate - Class A  
 \_\_\_ -HPD Heel-Proof Ductile Slotted Grate - Class B

**Decorative Grate Options (Load Classifications are per DIN EN1433)**  
 \_\_\_ -DWV Ductile Wave Decorative Grate - Class A  
 \_\_\_ -HPB Heel-Proof Bronze Slotted Grate - Class A  
 \_\_\_ -HPS Heel-Proof Stainless Steel Slotted Grate - Class A

**MADE in the U.S.A. (Load Classifications are per DIN EN1433)**  
 \_\_\_ -FS Fabricated Stainless Steel Slotted Grate - Class A\*  
 \_\_\_ -PS Perforated Stainless Steel Grate - Class A

**Decorative MADE in the U.S.A. (Load Classifications are per DIN EN1433)**  
 \_\_\_ -PSR Perforated Stainless Steel Raised Grate - Class A  
 \_\_\_ -SWG Stainless Steel Wire Grate - Class A

**LOWER BODY OPTIONS (Check/specify appropriate options)**  
 \_\_\_ -AA All Acid Resisting Epoxy (Lower Body)  
 \_\_\_ -AR Acid Resisting Epoxy Coated Cast Iron (Lower Body)  
 \_\_\_ -G Galvanized Cast Iron (Lower Body)  
 \_\_\_ -P Trap Primer Conn. (Specify 1/2 [13] or 3/4 [19]) (Lower Body)  
 \_\_\_ -SR Stabilizer Ring (Lower Body Ass'y)  
 \_\_\_ -TC Neo-Loc Test Cap Gasket (2-4 [51-102] NL Outlet Only)(Lower Body)  
 \_\_\_ -90 90° Threaded Side Outlet Body (2-3 [51-76] only) (Lower Body)

**Miscellaneous Options**  
 \_\_\_ -DB Drop-In Bucket Strainer  
 \_\_\_ -VP Vandal-Proof Lockdown

\* Regularly furnished unless otherwise specified.