



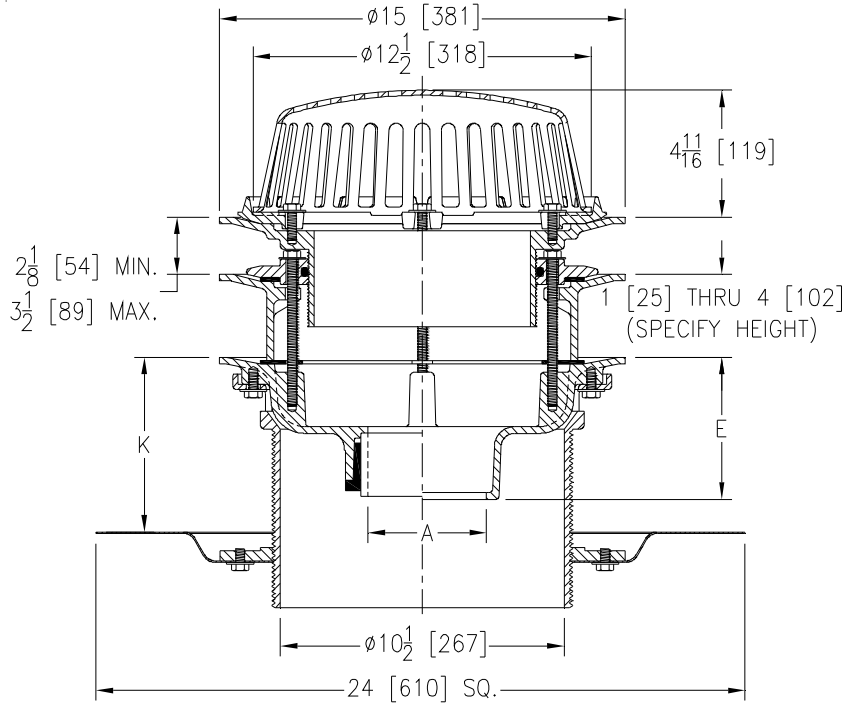
ZC100-DR-E-EA

15 [381] DIAMETER MAIN ROOF DRAIN W/ STATIC EXTENSION, ADJUSTABLE EXTENSION, TOP-SET® DRAIN RISER AND CAST IRON DOME

SPECIFICATION SHEET

TAG _____

Dimensional Data (inches and [mm]) are Subject to Manufacturing Tolerances and Change Without Notice



Dimensions in In [mm]			Approx. Wt. Lbs. [kg]	Dome Open Area Sq. In. [cm ²]
A Pipe Size	K			
	Min.	Max.		
2,3,4 [51,76,102]	2 5/8 [67]	7 1/4 [184]	110 [50]	103 [665]
6 [152]			106 [48]	
8 [203]			110 [50]	

ENGINEERING SPECIFICATION: ZURN ZC100-DR-E-EA 15" [381 mm] Diameter roof drain. Dura-Coated cast iron body with combination membrane flashing clamp/gravel guard, Top-Set® drain riser, static extension, adjustable extension assembly and low silhouette cast iron dome.

OPTIONS (Check/specify appropriate options)

PIPE SIZE

- 3, 4, 6 [76, 102, 152]
- 2, 3, 4, 6, 8 [51, 76, 102, 152, 203]
- 2, 3, 4, 6, 8 [51, 76, 102, 152, 203]
- 2, 3, 4 [51, 76, 102]
- 6 [152]

(Specify size/type) **OUTLET**

- _____ IC Inside Caulk
- _____ IP Threaded
- _____ NH No-Hub
- _____ NL Neo-Loc
- _____ NL Neo-Loc

E BODY HT. DIM.

- 5-1/4 [133]
- 3-3/4 [95]
- 5-1/4 [133]
- 4-9/16 [116]
- 5-7/16 [112]

PREFIXES

- ___ ZC D.C.C.I. Body with Cast Iron Dome*

SUFFIXES

- | | |
|---|---|
| ___ -AR Acid Resistant Epoxy Coated Finish | ___ -TC Neo-Loc Test Cap Gasket |
| ___ -AW 3/4 [19] thru 4 [102] Adj. Water level Regulator (Specify height) | (2, 3, 4 [51, 76, 102] NL Bottom Outlet Only) |
| ___ -G Galvanized Cast Iron | ___ -VP Vandal-Proof Secured Top |
| ___ -SC Secondary Clamping Collar | ___ -W2 2 [51] Internal Water Dam |
| ___ -SS Stainless Steel Mesh Screen Over Dome | ___ -W3 3 [76] Internal Water Dam |
| ___ -ST Dome with Solid Top | ___ -W4 4 [102] Internal Water Dam |
| | ___ -84 Stainless Steel Perforated Gravel Guard |
| | ___ -85 Stainless Steel Perforated Extension |
| | ___ -89 2 [51] High External Water Dam |

* Regularly furnished unless otherwise specified.