



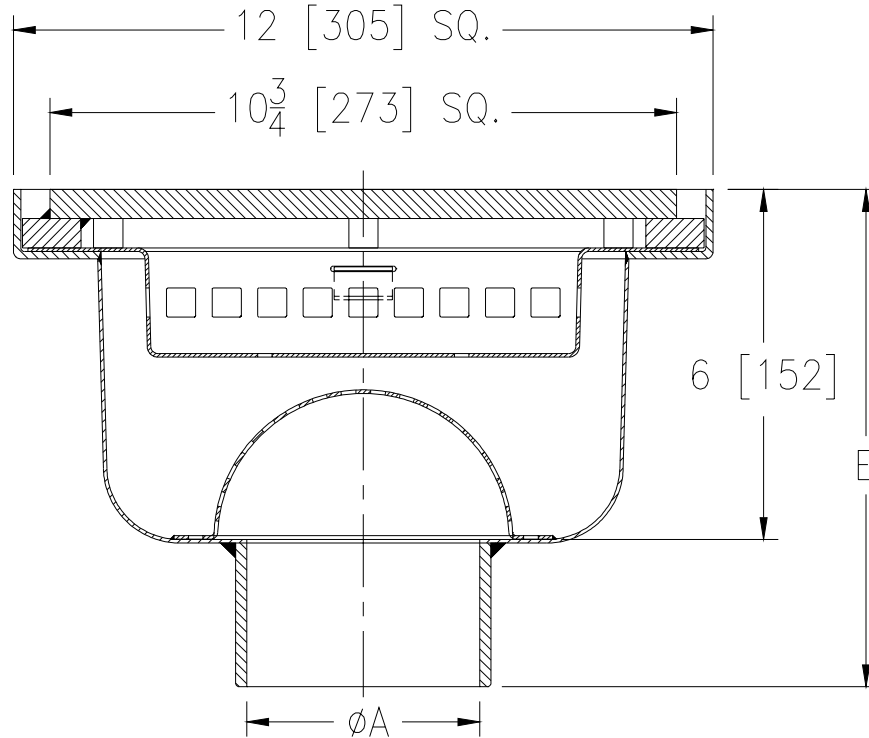
# Z1753-83

## 12 x 12 x 6 [305 x 305 x 153] DEEP SANI-FLOR RECEPTOR W/ PERIMETER DRAINAGE, BUCKET & SECURED DOME

SPECIFICATION SHEET

TAG \_\_\_\_\_

Dimensional Data (inches and [ mm ]) are Subject to Manufacturing Tolerances and Change Without Notice



A-Pipe Size Inches	Approx Wt. Lbs [kg]
2-3-4 [51-76-102]	15 [7]

**ENGINEERING SPECIFICATIONS:** ZURN Z1753-83 12 x 12 x 6 [305 x 305 x 153] deep, All Type 304 (CF8) Stainless Steel Sani-Flor receptor with non-tilt, 1/2 [13] thick solid cover with perimeter drainage, bucket and secured dome. Wheel load rating 15,000 Lbs. Drain body must be supported by concrete pour.

### OPTIONS (Check/specify appropriate options)

PIPE SIZE	(Specify size/type) OUTLET	'E' BODY HT. DIM.
2-3-4 [51-76-102]	___ IC Inside Caulk	8 9/16 [218]
2 [51]	___ IP Threaded	7 5/16 [186]
3 [76]	___ IP Threaded	7 9/16 [192]
4 [102]	___ IP Threaded	8 1/16 [205]
2-3-4 [51-76-102]	___ NH No-Hub	8 1/16 [205]
2-3-4 [51-76-102]	___ NL Neo-Loc	7 13/16 [198]

### PREFIXES

\_\_\_ Z Type 304 (CF8) Stainless Steel\*

### SUFFIXES

\_\_\_ -K Anchor Flange  
 \_\_\_ -KC Anchor Flange with Seepage Holes and Clamp Collar  
 \_\_\_ -LY (Less) Bucket  
 \_\_\_ -P 1/2 [13] Trap Primer Connection  
 \_\_\_ -SR 1/2 [13] Thick Sanitary Rim at Top of Drain Body  
 \_\_\_ -TC Neo-Loc Test Cap Gasket ( 2 - 4 [51- 102] NL Bottom Outlet Only)  
 \_\_\_ -1 (Less) Cover

REV. DATE: 01/28/05 C.N. NO. 92912

DWG. NO. P-15121 PRODUCT NO. Z1753-83

\*REGULARLY FURNISHED UNLESS OTHERWISE SPECIFIED

ZURN INDUSTRIES, INC. ♦ SPECIFICATION DRAINAGE OPERATION ♦ 1801 Pittsburgh Ave. ♦ Erie, PA 16514

Phone: 814/455-0921 ♦ Fax: 814/454-7929 ♦ World Wide Web: www.zurn.com

In Canada: ZURN INDUSTRIES LIMITED ♦ 3544 Nashua Drive ♦ Mississauga, Ontario L4V1L2 ♦ Phone: 905/405-8272 Fax: 905/405-1292