



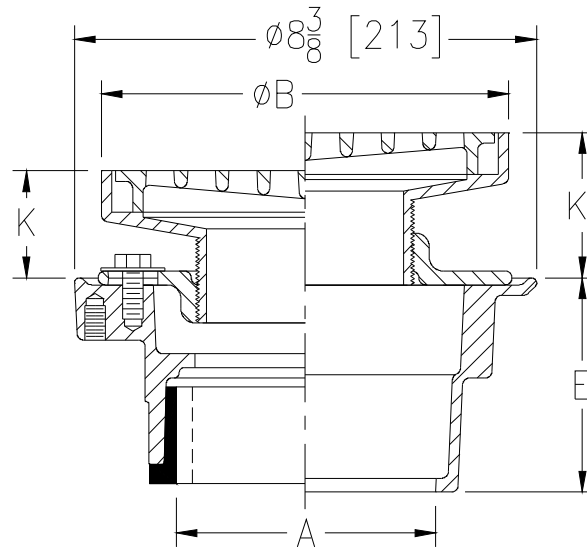
Z415N-VP

BODY ASSEMBLY W/ "TYPE N" STRAINER
AND VANDAL-PROOF SECURED TOP

SPECIFICATION SHEET

TAG _____

Dimensional Data (inches and [mm]) are Subject to Manufacturing Tolerances and Change Without Notice



Dimensions in In [mm]						Approx. Wt. Lbs. [kg]	Strainer Open Area Sq. In. [cm] ²
A - Pipe Size	B - Top Size	K		K'			
		Min.	Max.	Min.	Max.		
2,3,4 [51,76,102]	7 [178]	1-9/16 [40]	2-3/8 [60]	1-7/8 [48]	3-1/8 [79]	17 [7]	12 [77]
2,3,4 [51,76,102]	9 [229]	1-11/16 [43]	2-5/8 [67]	2-3/16 [56]	3-3/8 [86]	21 [10]	23 [148]
6 [152]	9 [229]	1-11/16 [43]	2-5/8 [67]	2-3/16 [56]	3-3/8 [86]	23 [10]	23 [148]

ENGINEERING SPECIFICATION: ZURN Z415N-VP

Floor and shower drain, Dura-Coated cast iron body with bottom outlet, combination invertible membrane clamp and adjustable collar with "TYPE N" D.C.C.I. strainer with deep flanged vandal-proof secured top.

OPTIONS (Check/specify appropriate options)

PIPE SIZE	(Specify size/type)	OUTLET	'E' BODY HT. DIM.
2 [51]	_____	IP Threaded	2-7/16 [62]
3 [76]	_____	IP Threaded	2-3/4 [70]
4 [102]	_____	IP Threaded	2-13/16 [71]
6 [152]	_____	IP Threaded	2-7/8 [73]
2,3,4 [51,76,102]	_____	NH No-Hub	3-13/16 [97]
2,3,4 [51,76,102]	_____	NL Neo-Loc	3-7/8 [98]

PREFIXES

- _____ Z D.C.C.I. Body Assembly w/Dura_Coated Top*
- _____ ZB D.C.C.I. Body Assembly w/Polished Bronze Top
- _____ ZN D.C.C.I. Body Assembly w/Polished Nickel Bronze Top

SUFFIXES

- _____ -AR Acid Resisting Epoxy Coated Cast Iron
- _____ -DG Duresist Grate
- _____ -G Galvanized Cast Iron
- _____ -P Trap Primer Connection (Specify 1/2 [13] or 3/4 [19])
- _____ -SA Stabilizer Assembly (See Z1035)
- _____ -SQ Stabilizer Q-deck (See Z1035-Q)
- _____ -SR Stabilizer Ring (See Z400-SR)
- _____ -TC Neo-Loc Test Cap Gasket (2,3,4 [51,76,102] NL Bottom Outlet Only)
- _____ -U 1-3 [25-76] High Extension Adapter
- _____ -V Backwater Valve
- _____ -Y Sediment Bucket
- _____ -90 2,3 [51,76] Side Outlet Body Assembly

* Regularly furnished unless otherwise specified.

Zurn Industries, LLC | Specification Drainage Operation
1801 Pittsburgh Avenue, Erie, PA U.S.A. 16502 · Ph. 855-663-9876, Fax 814-454-7929
In Canada | Zurn Industries Limited
3544 Nashua Drive, Mississauga, Ontario L4V 1L2 · Ph. 905-405-8272, Fax 905-405-1292
www.zurn.com

Rev. C
Date: 10/09/2017
C.N. No. 138566
Prod. | Dwg. No. Z415N-VP