



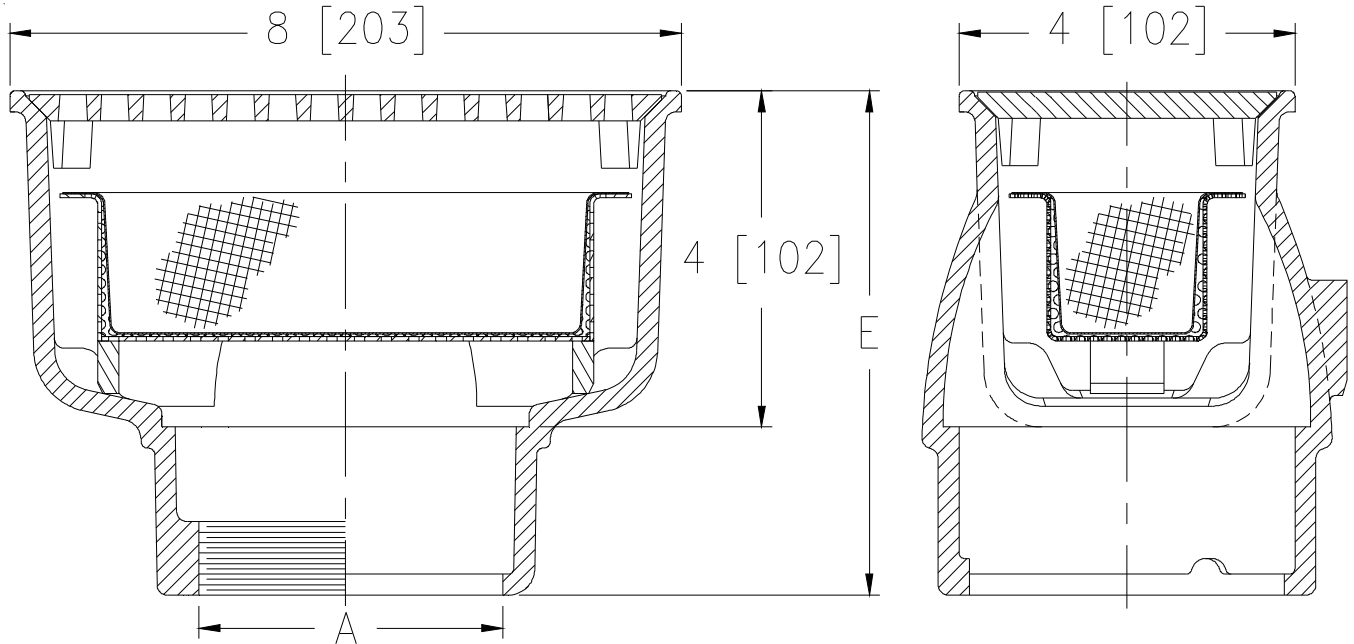
Z1930-23-31

8 X 4 [203 X 102] A.R.C. SANI-FLOR RECEPTOR,
4 [102] SUMP DEPTH & STAINLESS STEEL BUCKET
W/ STAINLESS STEEL MESH LINER

SPECIFICATION SHEET

TAG _____

Dimensional Data (inches and [mm]) are Subject to Manufacturing Tolerances and Change Without Notice



A- Pipe Size In. [mm]	Approx. Wt. Lbs. [kg]	Grate Open Area Sq. In. [cm ²]
2,3 [51,76]	11 [5]	7.5 [48]

ENGINEERING SPECIFICATION: ZURN Z1930-23-31
Sani-Flor Receptor 8" x 4" x 4" [203mm x 102mm x 102mm] deep cast iron body and rectangular square hole light duty grate, with white acid resisting epoxy coated interior and top, and stainless steel bucket with stainless steel mesh liner.

OPTIONS (Check/specify appropriate options)

PIPE SIZE

(Specify size/type) **OUTLET**

'E' BODY HT. DIMENSION

3 [76]
2,3 [51,76]
2,3 [51,76]

___ IC Inside Caulk
___ IP Threaded
___ NL Neo-Loc

Z	ZN
6 [152]	6-3/8 [162]
6 [152]	6-3/8 [162]
5-13/16 [148]	6-3/16 [157]

PREFIXES

- ___ Z Cast Iron Body with White A.R.C. Interior*
- ___ ZN Cast Iron Body with White A.R.C. Interior, 8-3/4 x 4-3/4 [222 x 121] Nickel Bronze Frame and Full Grate with 5/16 [8] Square Openings

SUFFIXES

- | | | | |
|---------|---|---------|---|
| ___ -K | Anchor Flange with Seepage Holes | ___ -3 | 3/4 Grate |
| ___ -KC | Anchor Flange with Seepage Holes and Clamp Collar | ___ -4 | Full Grate with Square Center Opening |
| ___ -LD | Less Bottom Dome Strainer | ___ -6 | Grate w/ 6 [102] Diameter x 6 [152] High Funnel |
| ___ -P | 1/2 [13] Trap Primer Connection | ___ -8 | Grate w/ 8-7/8 x 3-5/8 x 3-3/4 [225 x 92 x 95] High Oval Funnel |
| ___ -TC | Neo-Loc Test Cap Gasket (2,3 [51,76] NL Bottom Outlet Only) | ___ -11 | Vandal-Proof Secured Grate |
| ___ -1 | Less Grate | ___ -15 | Solid Loose Set Cover |
| ___ -2 | 1/2 Grate | | |

* Regularly furnished unless otherwise specified.