



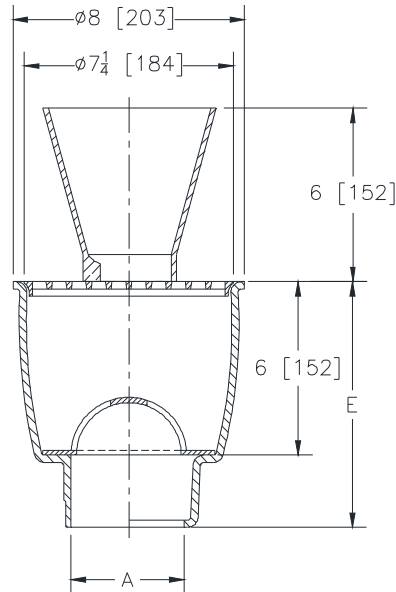
Z1960-6

8 [203] DIAMETER A.R.E. SANI-FLOR RECEPTOR
6 [152] SUMP DEPTH WITH 6 [152] HIGH FUNNEL

SPECIFICATION SHEET

TAG _____

Dimensional Data (inches and [mm]) are Subject to Manufacturing Tolerances and Change Without Notice



A Pipe Size In. [mm]	Approx Wt. Lbs. [kg]	Grate Open Area Sq. In. [cm ²]
2,3,4 [51,76,102]	30 [13]	15 [97]

ENGINEERING SPECIFICATION: ZURN Z1960-6

Sani-Flor Receptor 8" [203mm] diameter x 6" [152mm] deep cast iron body and round square holed light duty grate with 6" diameter x 6" [152mm x 152mm] high funnel, with white acid resisting porcelain enamel interior and top, black ground enamel exterior coating, complete with aluminum anti-splash interior bottom dome strainer.

OPTIONS (Check/specify appropriate options)

PIPE SIZE

3,4 [76,102]
2,3,4 [51,76,102]
2,3,4 [51,76,102]

(Specify size/type) **OUTLET**

___ IC Inside Caulk
___ NH No-Hub
___ NL Neo-Loc

'E' BODY HT. DIMENSION

Z	ZN
8-1/2 [216]	9 [229]
8-1/2 [216]	9 [229]
8 [203]	8-7/16 [214]

PREFIXES

___ Z Cast Iron Body with White A.R.E. Interior*
___ ZN Cast Iron Body with White A.R.E. Interior, 8-1/2 [216] Nickel Bronze Frame and Full Grate with 1/4 [6] Square Openings

SUFFIXES

___ -K Anchor Flange With Seepage Holes
___ -KC Anchor Flange With Seepage Holes With Clamp Collar
___ -LD Less Internal Bottom Dome Strainer
___ -P 1/2 [13] Threaded Trap Primer Connection (See Z1023)
___ -T Square Frame and Round Grate with 1/4 [6] Square Openings (ZN Only)
___ -TC Neo-Loc Test Cap Gasket (2,3,4 [51,76,102] NL Bottom Outlet Only)
___ -11 Vandal-Proof Secured Grate
___ -23 Aluminum Bucket
___ -25 White A.R.C. Bucket
___ -31 Stainless Steel Mesh Liner for Bucket
___ -32 Aluminum Dome Strainer
___ -33 White A.R.C. Anti-Splash Bottom Dome Strainer

* Regularly furnished unless otherwise specified.