



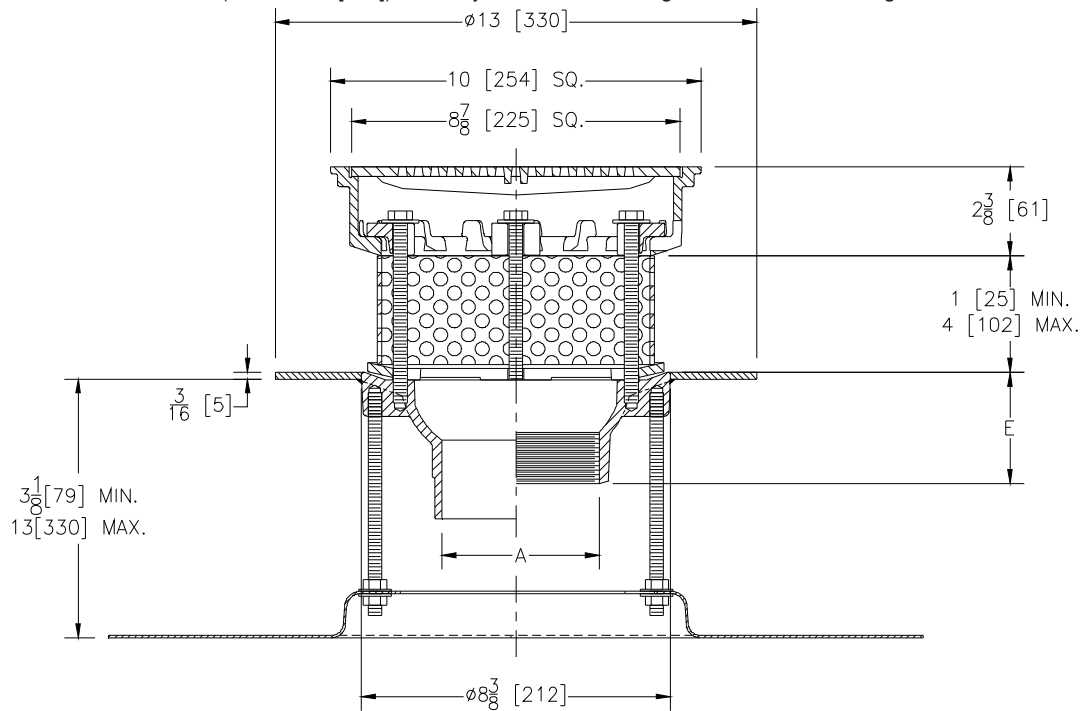
# Z158-103

## 10 [254] SQUARE TOP PROM-DECK DRAIN W/ PERFORATED EXTENSION, DEX-O-TEX FLANGE, AND Q-DECK STABILIZER

SPECIFICATION SHEET

TAG \_\_\_\_\_

Dimensional Data (inches and [mm]) are Subject to Manufacturing Tolerances and Changes Without Notice



A- Pipe Size In.	Approx. Wt. Lbs. [kg]	Grate Open Area Sq. In. [cm <sup>2</sup> ]
2-3-4 [51-76-102]	22 [10]	21 [136]

### ENGINEERING SPECIFICATION: ZURN Z158-103

10 [254] Square Top Prom-Deck drain, Dura-Coated cast iron body with Dex-O-Tex flange, rotatable square promenade frame with seepage openings, frame clamps, stainless steel perforated extension with stainless steel hardware, secondary clamp collar, light-duty heel-proof grate, and Z158-103 Q-Deck stabilizer plate.

### OPTIONS (Check/specify appropriate options)

#### PIPE SIZE

- 2-3-4 [51-76-102]
- 2 [51]
- 3 [76]
- 4 [102]
- 2-3-4 [51-76-102]
- 2-3-4 [51-76-102]

#### (Specify size/type) OUTLET

- \_\_\_ IC Inside Caulk
- \_\_\_ IP Threaded
- \_\_\_ IP Threaded
- \_\_\_ IP Threaded
- \_\_\_ NH No-Hub
- \_\_\_ NL Neo-Loc

#### 'E' BODY HT. DIM.

- 3-7/8 [98]
- 2-7/16 [62]
- 2-3/4 [70]
- 3 [76]
- 4 [102]
- 3-13/16 [97]

#### PREFIXES

- \_\_\_ Z D.C.C.I. Body with Top\*
- \_\_\_ ZB D.C.C.I. Body with Polished Bronze Top
- \_\_\_ ZN D.C.C.I. Body with Polished Nickel Bronze Top

#### SUFFIXES

- \_\_\_ -AR Acid Resistant Epoxy Coated
- \_\_\_ -DG Duresist Grate (Z Only)
- \_\_\_ -DT Decorative Polished Top (ZB and ZN Only)
- \_\_\_ -E 2 [51] High Static Extension
- \_\_\_ -G Galvanized Cast Iron
- \_\_\_ -TS Top Secured with Slotted Screws
- \_\_\_ -VP Vandal-Proof Secured Top
- \_\_\_ -XJ Vertical Expansion Joint (See Z190)
- \_\_\_ -Y Sediment Bucket
- \_\_\_ -90 90° Threaded Side Outlet Body (2 [51] thru 4 [102])

\*REGULARLY FURNISHED UNLESS OTHERWISE SPECIFIED

REV.	DATE: 02/16/11	C.N. NO. 120878
DWG. NO. 304564	PRODUCT NO. Z158-103	