

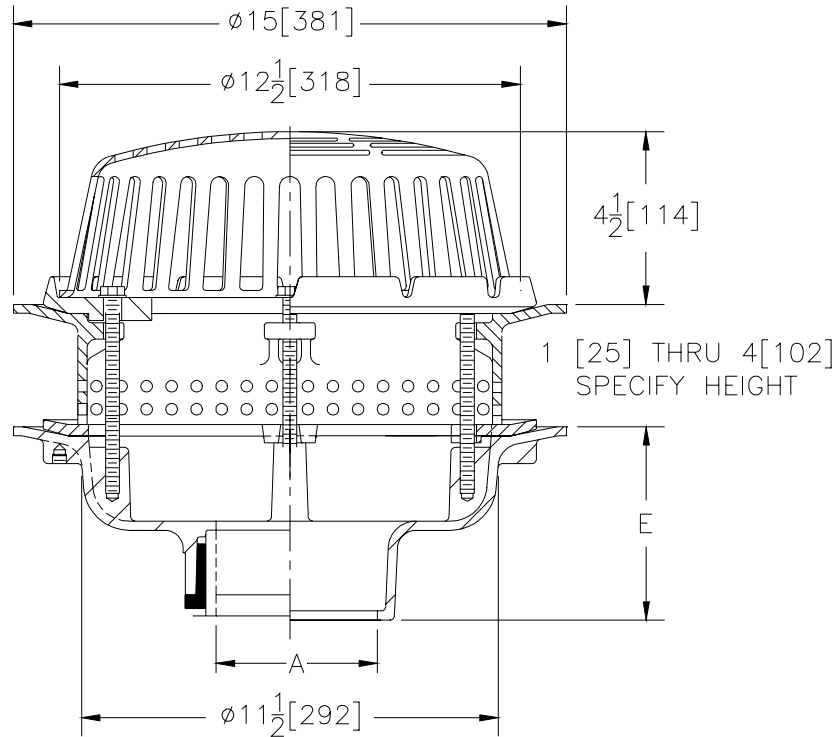


Z-100-104
15" [381] DIAMETER MAIN
ROOF DRAIN

SPECIFICATION SHEET

TAG _____

Dimensional Data (inches or [mm]) are Subject to Manufacturing Tolerances and Change Without Notice



A- Pipe Size In.	Approx. Wt. Lbs.[kg]	Dome Open Area Sq. In.[cm ²]
2-3-4[50-75-100]	44 [20]	103 [665]
6 [150]	45 [20]	

ENGINEERING SPECIFICATION: ZURN Z-100-104 15 [381] Diameter roof drain. Dura-Coated cast iron body with combination membrane flashing clamp/gravel guard, static extension with (2) rows of 1/4 [6] dia. holes, secondary clamp collar, low silhouette Poly-Dome.

OPTIONS (Check/specify appropriate options)

PIPE SIZE (Specify size)

- _____ 2,3,4,6[50,75,100,150]
- _____ 2,3,4,6[50,75,100,150]
- _____ 2 [50] thru 6 [100]
- _____ 2,3,4,6[50,75,100,150]
- _____ 2 [50] thru 6 [100]

OUTLET (Specify type)

- _____ **IC** Inside Caulk
- _____ **IG** Inside Caulk w/Seatrol Gskt.
- _____ **IP** Threaded
- _____ **NH** No-Hub
- _____ **NL** Neo-Loc

'E' BODY HT. DIMENSION

- 5 1/4 [133]
- 5 1/4 [133]
- 3 3/4 [95]
- 5 1/4 [133]
- 4 5/8 [117]

PREFIXES

- _____ **Z-** D.C.C.I. Body with Poly-Dome*
- _____ **ZA-** D.C.C.I. Body with Aluminum Dome
- _____ **ZC-** D.C.C.I. Body with Cast Iron Dome
- _____ **ZRB-** D.C.C.I. Body with Plain Bronze Dome

SUFFIXES

- _____ **-C** Underdeck Clamp
- _____ **-BS** Bronze Mesh Screen Over Dome
- _____ **-DX** Dex-o-tex Flange
- _____ **-EA** Adjustable Extension Assembly 1 3/4 [44] thru 3 1/2 [98]
- _____ **-G** Galvanized Cast Iron
- _____ **-GD** Galvanized Cast Iron Dome
- _____ **-R** Rood Sump Receiver
- _____ **-SS** Stainless Mesh Screen Over Dome
- _____ **-VP** Vandal Proof Secured Dome
- _____ **-XJ** Vertical Expansion Joint (See Z-190)

** With standard studs, longer studs available upon request.

*REGULARLY FURNISHED UNLESS OTHERWISE SPECIFIED

REV. A DATE: 4/10/97 C.N. NO. 77722

DWG. NO. P-14138 PRODUCT NO. Z-100-104