



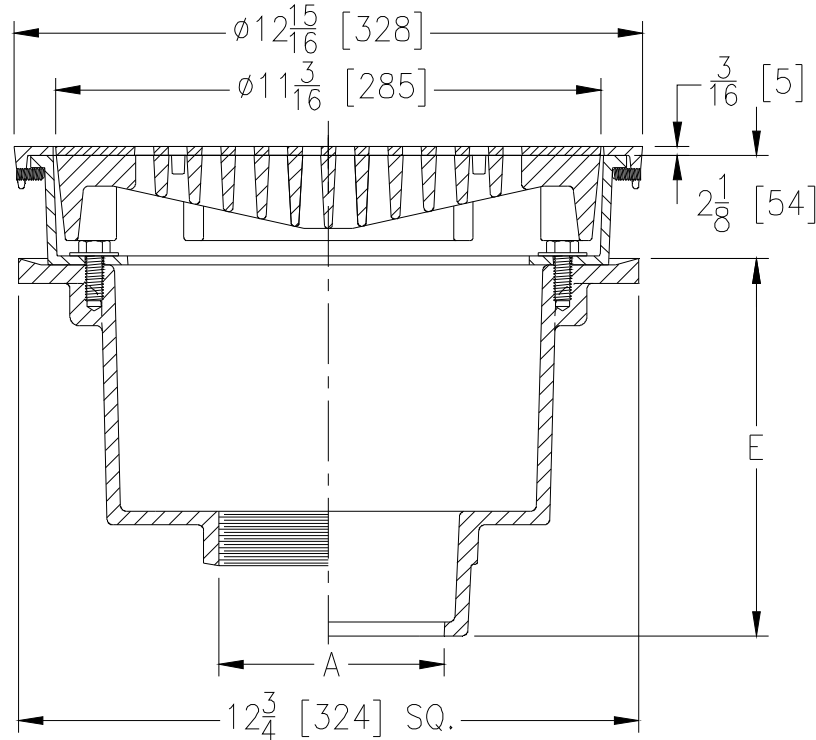
# Z512-81

## 12 [305] HEAVY-DUTY DRAIN W/ STAINLESS STEEL VENEER FRAME & GRATE

SPECIFICATION SHEET

TAG \_\_\_\_\_

Dimensional Data (inches and [ mm ]) are Subject to Manufacturing Tolerances and Change Without Notice



A- Pipe Size In.	Approx. Wt. Lbs. [kg]	Grate Open Area Sq. In. [cm <sup>2</sup> ]
3-4-6 [76-102-152]	44 [20]	30 [194]

### ENGINEERING SPECIFICATION: ZURN Z512-81

12 [305] Diameter top heavy-duty drain, Dura-Coated cast iron deep sump body with bottom outlet, seepage pan and combination flashing clamp and frame for heavy-duty tractor grate with stainless steel veneer frame and grate.

### OPTIONS (Check/specify appropriate options)

#### PIPE SIZE

- 3-4-6 [76-102-152]
- 3-4-6 [76-102-152]
- 3 [76]
- 4-6 [102-152]
- 3-4-6 [76-102-152]
- 3-4 [76-102]

#### (Specify size/type) OUTLET

- \_\_\_\_\_ IC Inside Caulk
- \_\_\_\_\_ IG Inside Caulk w/Sealtrol Gskt.
- \_\_\_\_\_ IP Threaded
- \_\_\_\_\_ IP Threaded
- \_\_\_\_\_ NH No-Hub
- \_\_\_\_\_ NL Neo-Loc

#### 'E' BODY HT. DIM.

- 7 3/4 [197]
- 7 3/4 [197]
- 6 [152]
- 6 5/16 [160]
- 7 13/16 [198]
- 7 1/4 [184]

#### PREFIXES

- \_\_\_\_\_ ZS D.C.C.I. Body with Type 304 (CF8) Stainless Steel Veneer Frame and Grate

#### SUFFIXES

- \_\_\_\_\_ -G Galvanized Cast Iron
- \_\_\_\_\_ -S Secondary Strainer
- \_\_\_\_\_ -SS Stainless Mesh Liner for Bucket
- \_\_\_\_\_ -T Square Top
- \_\_\_\_\_ -TC Neo-Loc Test Cap Gasket (3 [76]-4 [102] NL Bottom Outlet Only)
- \_\_\_\_\_ -TS Top Secured with Slotted Screws
- \_\_\_\_\_ -V Backwater Valve (4 [102] IC & IP only)
- \_\_\_\_\_ -VP Vandal-Proof Secured Top
- \_\_\_\_\_ -Y Sediment Bucket
- \_\_\_\_\_ -90 90° Threaded Side Outlet Body

REV.	DATE: 9/10/09	C.N. NO. 110183
DWG. NO. P-15758 PRODUCT NO. Z512-81		

\*REGULARLY FURNISHED UNLESS OTHERWISE SPECIFIED