



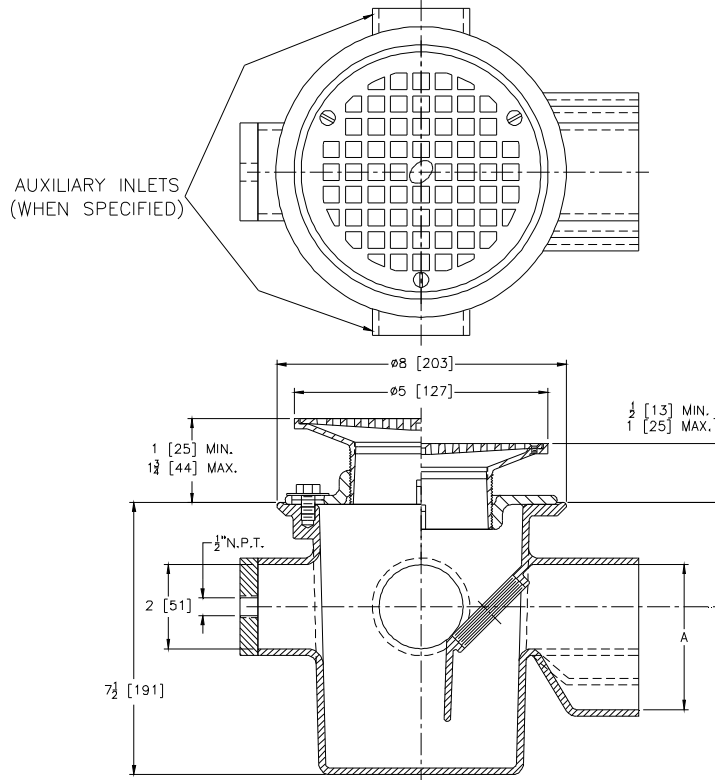
Z356-78

FLOOR DRAIN WITH TRAP MULTI-INLET, ADJUSTABLE W/ TRAP PRIMER CONNECTION

SPECIFICATION SHEET

TAG _____

Dimensional Data (inches and [mm]) are Subject to Manufacturing Tolerances and Change Without Notice



| Dimensions in Inches [mm] | | Approx. Wt. Lbs. [kg] |
|---------------------------|--------------|-----------------------|
| A Pipe Size | M | |
| 2 [51] | 2-7/8 [73] | 18 [8] |
| 3 [76] | 3-3/8 [86] | |
| 4 [102] | 3-23/32 [94] | |

ENGINEERING SPECIFICATION: ZURNZN356-78

Multi-Inlet adjustable floor drain with trap, Dura-Coated cast iron body with integral trap seal, complete with plastic cleanout plug, invertable collar and 5" [127mm] round, polished nickel bronze adjustable top and 1/2" [13mm] female thread side inlet trap primer connection.

OPTIONS (Check/specify appropriate options)

PIPE SIZE

2,3,4 [51,76,102]

(Specify size/type) **OUTLET**

_____ NH No-Hub

PREFIXES

- _____ ZB D.C.C.I. Body w/Polished Bronze Top
- _____ ZN D.C.C.I. Body w/Polished Nickel Bronze Top*

SUFFIXES

- _____ -AR Acid Resisting Epoxy Coated Cast Iron
- _____ -BP Bronze Plug
- _____ -G Galvanized Cast Iron
- _____ -J Auxiliary Inlet Connection (1 Left Side Facing Outlet)
- _____ -J2 Two (2) Auxiliary Inlet Connections (1 Left & Right Side Facing Outlet)
- _____ -PC Protective Cover
- _____ -VP Vandal-Proof Secured Top

* Regularly furnished unless otherwise specified.