



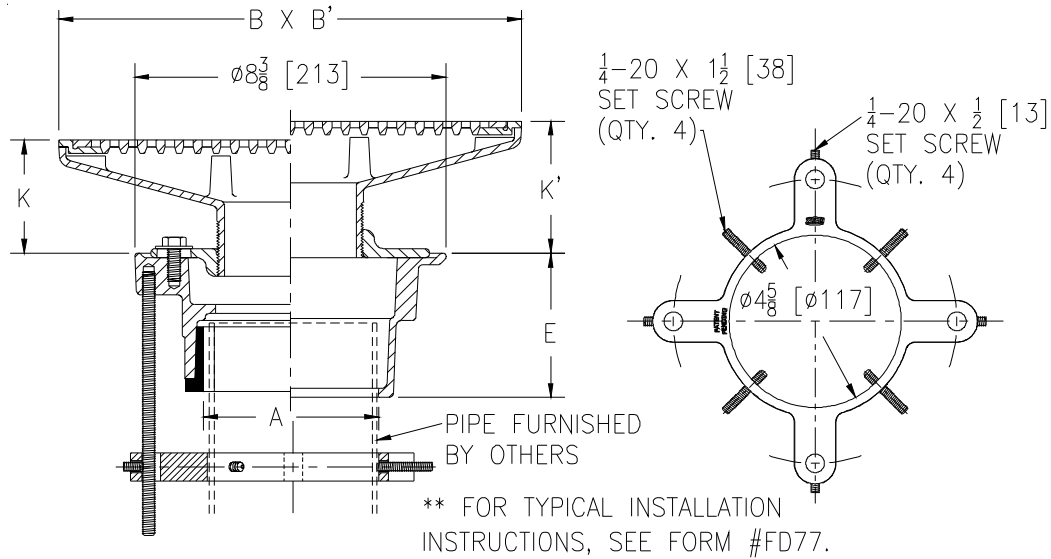
Z415J-SR

BODY ASSEMBLY W/ "TYPE J" STRAINER AND STABILIZER RING

SPECIFICATION SHEET

TAG _____

Dimensional Data (inches and [mm]) are Subject to Manufacturing Tolerances and Change Without Notice



Dimensions in In [mm]						Approx. Wt. Lbs. [kg.]	Strainer Open Area Sq. In. [cm ²]
A-Pipe Size	B x B' Strainer Size	K		K'			
		Min.	Max.	Min.	Max.		
2,3,4 [51,76,102]	4-1/2x8 [114x203]	1-3/8 [35]	2-5/8 [67]	2-1/8 [54]	3-3/8 [86]	15 [7]	12 [72]
2,3,4 [51,76,102]	5x9 [127x229]	1-5/8 [41]	2-13/16 [71]	2-3/8 [60]	3-5/8 [92]	16 [7]	15 [97]
3,4 [76,102]	5-1/2x13 [140x330]	2-3/32 [51]	3-5/16 [84]	2-13/16 [71]	4 [102]	20 [9]	20 [129]
3,4 [76,102]	5x17 [127x432]	2-1/4 [57]	3-5/16 [84]	2-13/16 [71]	4 [102]	25 [11]	29 [187]
3,4 [76,102]	5x21 [127x533]	2-5/16 [59]	3-5/16 [84]	2-13/16 [71]	4 [102]	29 [13]	32 [206]

ENGINEERING SPECIFICATION: ZURNZN415J-SR

Floor and shower drain, Dura-Coated cast iron body with bottom outlet, combination invertible membrane clamp and adjustable collar with seepage slots and "TYPE J" polished, nickel bronze rectangular, light-duty, heel-proof strainer. Complete with Dura-Coated cast iron floor drain stabilizer ring with four 1/4-20 x 1/2" [13mm] securing screws to 3/8-16 x 7" [178mm] threaded rods and four 1/4-20 x 1-1/2" [38mm] securing screws to outlet piping.

OPTIONS (Check/specify appropriate options)

PIPE SIZE

2,3,4 [51,76,102]
2 [51]
3 [76]
4 [102]
2,3,4 [51,76,102]
2,3,4 [51,76,102]

(Specify size/type) OUTLET

_____ IC Inside Caulk
_____ IP Threaded
_____ IP Threaded
_____ IP Threaded
_____ NH No-Hub
_____ NL Neo-Loc

'E' BODY HT. DIM.

4-3/16 [106]
2-7/16 [62]
2-3/4 [70]
2-13/16 [71]
3-13/16 [97]
3-7/8 [98]

PREFIXES

_____ ZB D.C.C.I. Body Assembly w/ Polished Bronze Top
_____ ZN D.C.C.I. Body Assembly w/ Polished Nickel Bronze Top*

SUFFIXES

_____ -AR Acid Resisting Epoxy Coated Cast Iron
_____ -G Galvanized Cast Iron
_____ -P Trap Primer Connection (Specify 1/2 [13] or 3/4 [19])
_____ -TC Neo-Loc Test Cap Gasket (2,3,4 [51,76,102] NL Bottom Outlet Only)
_____ -U 1-3 [25-76] High Extension Adapter
_____ -V Backwater Valve
_____ -VP Vandal-Proof Secured Top
_____ -Y Sediment Bucket

* Regularly furnished unless otherwise specified.

Zurn Industries, LLC | Specification Drainage Operation
1801 Pittsburgh Avenue, Erie, PA U.S.A. 16502 · Ph. 855-663-9876, Fax 814-454-7929
In Canada | Zurn Industries Limited
3544 Nashua Drive, Mississauga, Ontario L4V 1L2 · Ph. 905-405-8272, Fax 905-405-1292
www.zurn.com

Rev. B
Date: 10/09/2017
C.N. No. 138559
Prod. | Dwg. No. Z415J-SR