



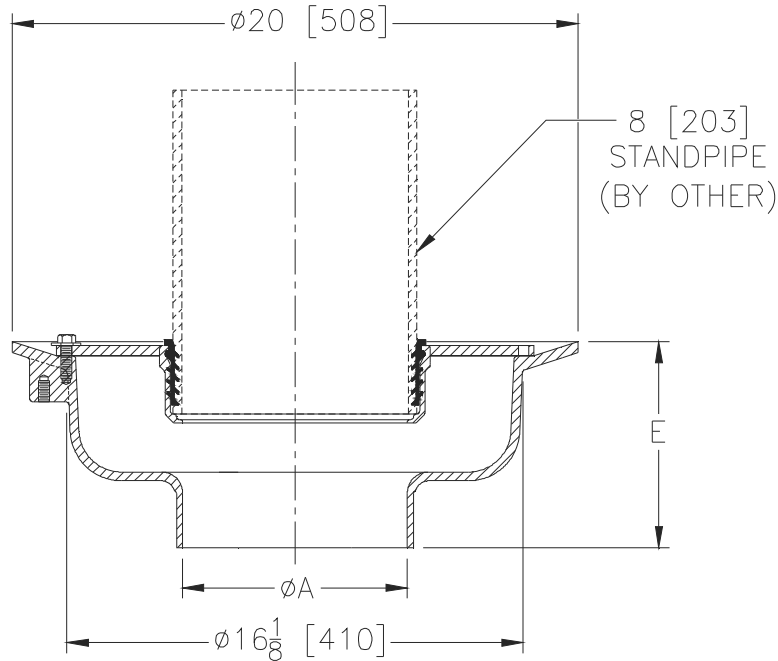
Z101-94

HIGH CAPACITY 20 [508] DIAMETER ROOF DRAIN W/ 8 [203] STANDPIPE ADAPTER

SPECIFICATION SHEET

TAG _____

Dimensional Data (inches and [mm]) are Subject to Manufacturing Tolerances and Change Without Notice



A- Pipe Size In. [mm]	Approx. Wt. Lbs. [kg]
8 [203]	77 [35]
10 [245]	78 [35]
12 [305]	79 [36]

ENGINEERING SPECIFICATION: ZURNZ101-94

20" [508mm] Diameter roof drain. Dura-Coated cast iron body with combination membrane flashing clamp/ 8" [203mm] standpipe adapter.

PIPE SIZE

8, 10, 12 [203, 254, 305]

(Specify size) OUTLET

____ NH No-Hub

'E' BODY HT. DIM.

7-5/16 [185]

PREFIXES

____ Z D.C.C.I. Body with Cast Iron Dome*

SUFFIXES

- ____ -AR Acid Resistant Epoxy Coated
- ____ -C Underdeck Clamp
- ____ -DP Top-Set® Roof Deck Plate (Replaces both the -C and -R)
- ____ -E Static Extension 1 [25] thru 4 [102] (Specify Height)
- ____ -EB Top-Set® Adjustable Extension Assembly
- ____ -G Galvanized Cast Iron
- ____ -R Roof Sump Receiver

* Regularly furnished unless otherwise specified.