



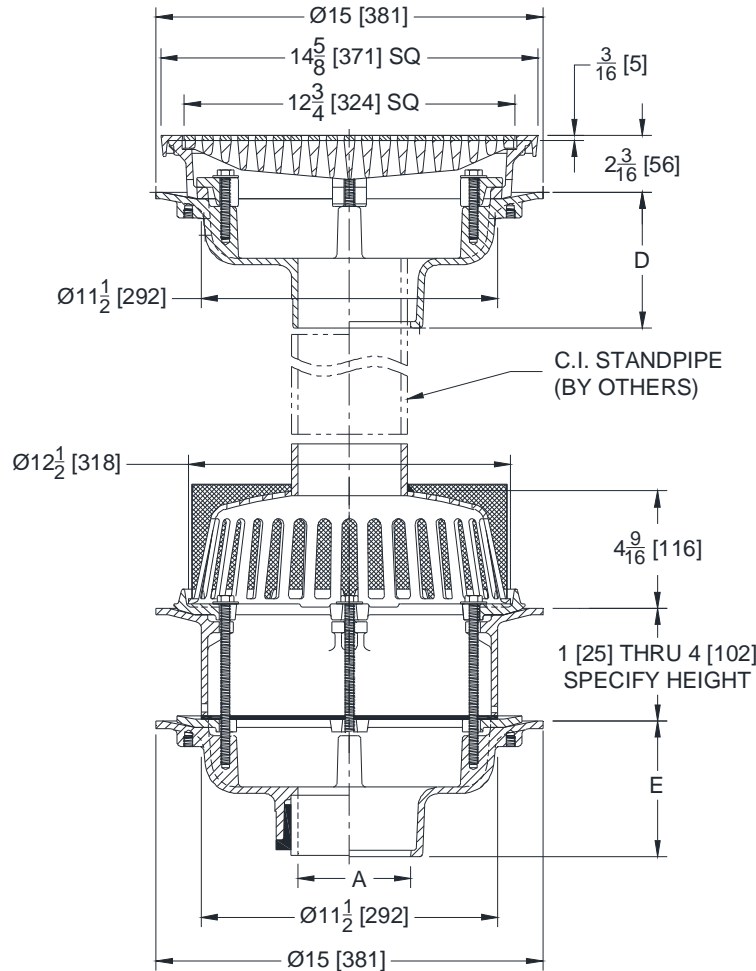
# Z100-362

15 [381] DIAMETER MAIN ROOF DRAIN W/ STATIC EXTENSION,  
SECONDARY CLAMP COLLAR, STAINLESS STEEL MESH  
OVER DOME, & 14-5/8 [371] SQUARE TOP PROM DECK DRAIN

SPECIFICATION SHEET

TAG \_\_\_\_\_

Dimensional Data (inches and [ mm ]) are Subject to Manufacturing Tolerances and Change Without Notice



A Pipe Size In.[mm]	Approx. Wt. Lbs. [kg]	Dome Open Area Sq. In. [cm <sup>2</sup> ]	Grate Open Area Sq. In. [cm <sup>2</sup> ]
2,3,4 [51,76,102]	26 [12]	103 [665]	44 [284]
6 [152]	27 [12]		
8 [203]	28 [13]		

### ENGINEERING SPECIFICATION: ZURNZ100-362

15" [381mm] Diameter roof drain. Dura-Coated cast iron body with combination membrane flashing clamp/gravel guard, static extension with seepage holes and low silhouette Poly-Dome with pipe coupling and stainless steel mesh screen. Upper body consists of ZB150 14-5/8" [371mm] Square Top Prom-Deck drain Dura-Coated cast iron body, with rotatable square promenade frame, frame clamps and heavy-duty heel-proof grate with polished bronze top.

### OPTIONS (Check/specify appropriate options)

#### PIPE SIZE

- 3, 4, 6 [76,102,152]
- 2, 3, 4, 6, 8 [51,76, 102, 152, 203]
- 2, 3, 4, 6, 8 [51,76, 102, 152, 203]
- 2, 3, 4 [51,76,102]
- 6 [152]

#### (Specify size/type) OUTLET

- \_\_\_\_\_ IC Inside Caulk
- \_\_\_\_\_ IP Threaded
- \_\_\_\_\_ NH No-Hub
- \_\_\_\_\_ NL Neo-Loc
- \_\_\_\_\_ NL Neo-Loc

#### E BODY HT. DIM.

- 5-1/4 [133]
- 3-3/4 [95]
- 5-1/4 [133]
- 4-9/16 [116]
- 5-7/16 [112]

#### PREFIXES

- \_\_\_\_\_ ZC D.C.C.I. Body with Cast Iron Dome\*

\* Regularly furnished unless otherwise specified.

Zurn Industries, LLC | Specification Drainage Operation  
1801 Pittsburgh Avenue, Erie, PA U.S.A. 16502 · Ph. 855-663-9876, Fax 814-454-7929  
In Canada | Zurn Industries Limited  
3544 Nashua Drive, Mississauga, Ontario L4V 1L2 · Ph. 905-405-8272, Fax 905-405-1292  
[www.zurn.com](http://www.zurn.com)

Rev. -  
Date: 02/20/2019  
C.N. No. 141082  
Prod. | Dwg. No. Z100-362