



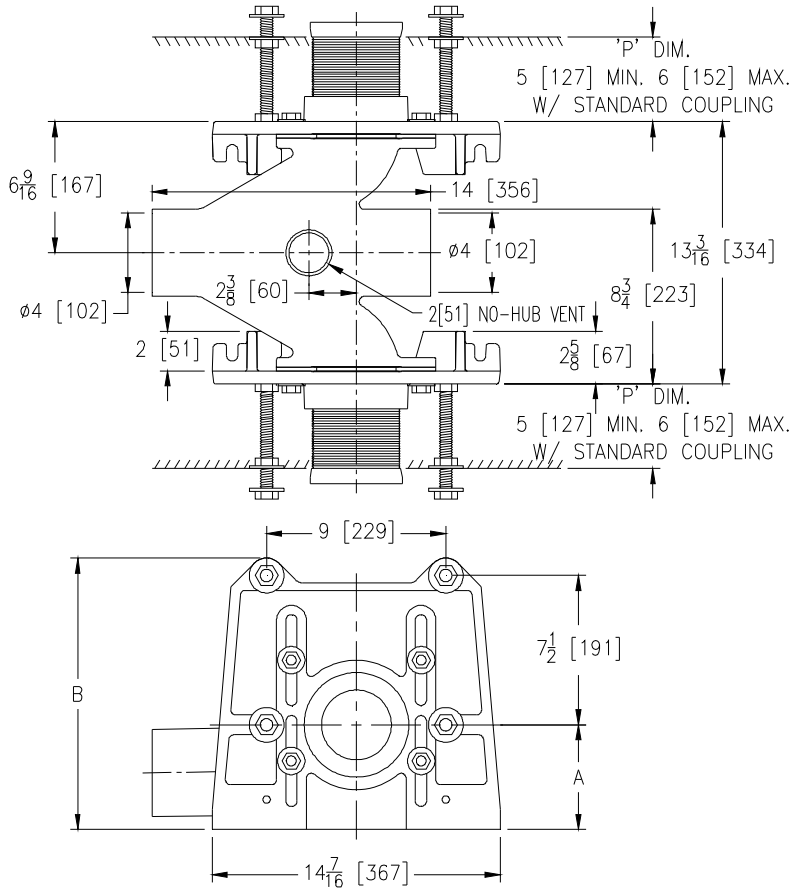
ZF1203-ND

NO-HUB HORIZONTAL BACK TO BACK SIPHON JET ONE-PIECE CARRIER

SPECIFICATION SHEET

TAG _____

Dimensional Data (inches and [mm]) are Subject to Manufacturing Tolerances and Change Without Notice



Product Number	Approx. Wt. Lbs. [kg]	Dimensions In Inches	
		A	B
ZF1203-ND-F5	106 [48]	5-1/4 [133]	13-5/8 [346]
ZF1203-ND-F7	114 [52]	7-1/4 [184]	15-5/8 [397]
ZF1203-ND-F8	120 [54]	8-1/4 [210]	16-5/8 [422]
ZF1203-ND-F55	108 [49]	5-1/2 [140]	13-7/8 [352]
ZF1203-ND-F75	116 [53]	7-1/2 [191]	15-7/8 [403]

Note:

1. Min. 'P' Dim. Obtainable=2 [51]
2. Faceplate bolted to floor using min. 1/2 [13] dia. bolts and back slots on carrier.

ENGINEERING SPECIFICATION: ZURNZF1203-ND()

Combination One-Piece foot/faceplate, horizontal back-to-back siphon jet water closet "Rigid System" with 4 [102] No-Hub connections. Complete with Dura-Coated cast iron double main fitting, with 2 [51] vent, floor mounted faceplate with () rough-in height, corrosion resistant adjustable ABS coupling with integral test cap, fixture bolts, trim, stud protectors, and bonded "Neo-Seal" gasket.

OPTIONS (Check/specify appropriate options)

- ___ **ZF1203-ND-F5** 4 [102] No-Hub Back to Back Inlet with 5-1/4 [133] Non-Adjustable Rough-In Height
- ___ **ZF1203-ND-F7** 4 [102] No-Hub Back to Back Inlet with 7-1/4 [184] Non-Adjustable Rough-In Height
- ___ **ZF1203-ND-F8** 4 [102] No-Hub Back to Back Inlet with 8-1/4 [210] Non-Adjustable Rough-In Height
- ___ **ZF1203-ND-F55** 4 [102] No-Hub Back to Back Inlet with 5-1/2 [140] Non-Adjustable Rough-In Height
- ___ **ZF1203-ND-F75** 4 [102] No-Hub Back to Back Inlet with 7-1/2 [191] Non-Adjustable Rough-In Height

PREFIXES

- ___ ZF D.C.C.I. System with Zurn "ZZ" Adjustable Coupling*
- ___ ZQF D.C.C.I. System with NPT Faceplate, Non-Adjustable Coupling

SUFFIXES

- ___ -A Auxiliary Support Assembly
- ___ -BC Back Cleanout
- ___ -CC Corrosion Resistant Cast Iron Coupling (6 [151] to 12 [305])
- ___ -CL Coupling Length Greater Than 12 [305] (Specified Length Required)
- ___ -F Floor Mounted, Back Outlet Fixture Support
- ___ -G Galvanized Cast Iron
- ___ -M Auxiliary Foot Support (for 'P' Dim. 10 [254]-18 [457])
- ___ -T Threaded Connection
- ___ -VP Vandal Proof Trim
- ___ -29 Mechanical Test Cap Assembly
- ___ -45 Finishing Frame for Siphon Jet System
- ___ -50 Flush Valve Supply Support for Water Closets
- ___ -61 "ZZ" Coupling Wrench

*REGULARLY FURNISHED UNLESS OTHERWISE SPECIFIED

REV. -	DATE: 9/9/09	C.N. NO. 110175
DWG. NO. 84337	PRODUCT NO. ZF1203-ND	

ZURN INDUSTRIES, LLC. ♦ SPECIFICATION DRAINAGE OPERATION ♦ 1801 Pittsburgh Ave. ♦ Erie, PA 16514

Phone: 814455-0921 ♦ Fax: 814454-7929 ♦ World Wide Web: www.zurn.com

In Canada: ZURN INDUSTRIES LIMITED ♦ 3544 Nashua Drive ♦ Mississauga, Ontario L4V1L2 ♦ Phone: 905405-8272 Fax: 905405-1292