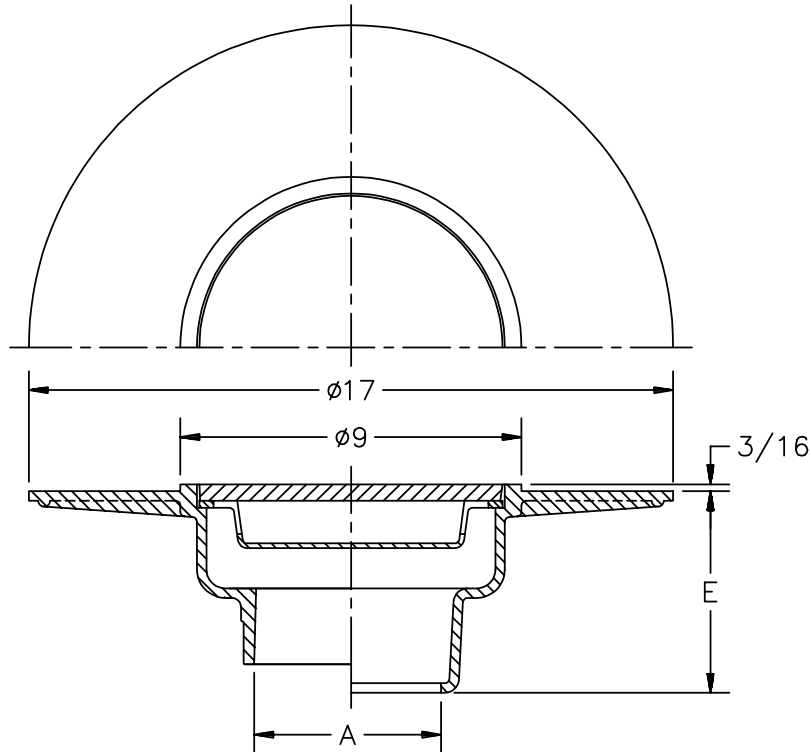




Z-1719-75
DECK DRAIN WITH WIDE FLANGE

TAG _____

Dimensional Data (inches and [mm]) are Subject to Manufacturing Tolerances and Change Without Notice



A- Pipe Size In.	Approx. Wt. Lbs.
2-3-4	22

ENGINEERING SPECIFICATION: ZURN Z-1719-75 All Type 304 (CF8) stainless steel deck drain with 17" diameter flange, solid cover and sediment bucket.

OPTIONS (Check/specify appropriate options)

OUTLET (Specify type)

- _____ **IC** Inside Caulk
- _____ **IP** Threaded

PIPE SIZE (Specify size)

- _____ 2",3"
- _____ 2" thru 4"

**'E' BODY HT.
DIMENSION**

- 5-1/2
- 4"

PREFIXES

- _____ **Z-** Type 304 (CF8) Stainless Steel Body*
- _____ **ZC-** Type A-27 Carbon Steel Body (P.O.A.)
- _____ **ZM-** Type 306 (CF8M) Stainless Steel Body

SUFFIXES

- _____ **-SF** Satin Finish Top
- _____ **-VP** Vandal Proof Secured Top

REV.	DATE: 6/15/94	C.N. NO. 69841
DWG. NO. P-13992		PRODUCT NO. Z-1719-75

*REGULARLY FURNISHED UNLESS OTHERWISE SPECIFIED