



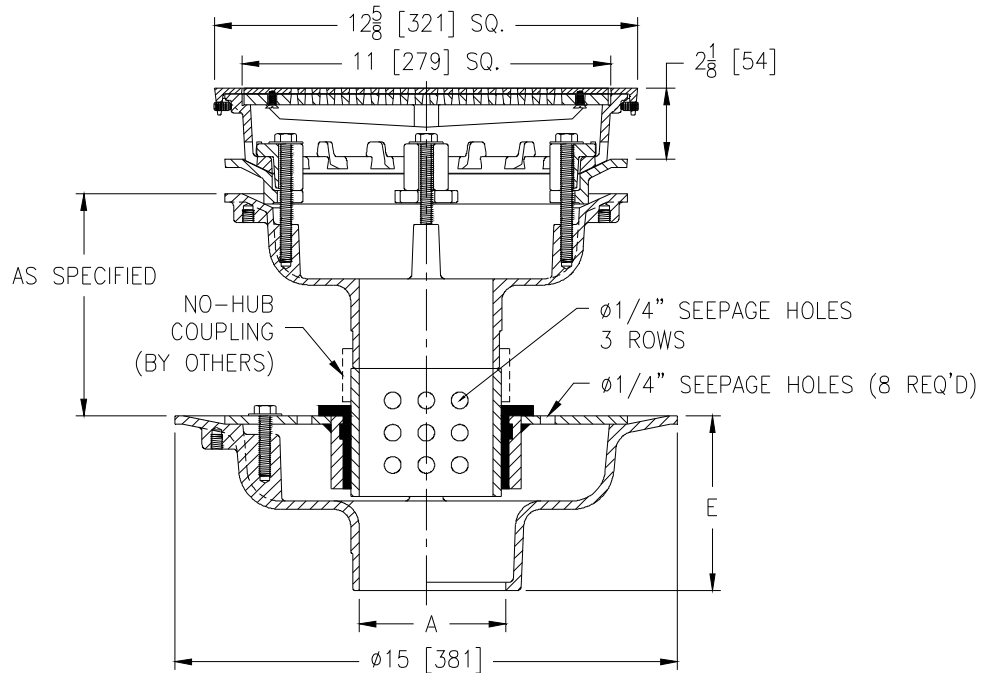
# Z627-91

## ISOLATION DECK DRAIN WITH UPPER ZN154 DRAIN BODY

SPECIFICATION SHEET

TAG \_\_\_\_\_

Dimensional Data (inches and [ mm ]) are Subject to Manufacturing Tolerances and Change Without Notice



A Pipe Size	Approx. Wt. Lbs. Less Nipple [kg]	Grate Open Area Sq. In. [cm <sup>2</sup> ]
3 thru 6 [76 thru 152]	65 [29]	20 [116]

**ENGINEERING SPECIFICATION: ZURN Z627-91**

Isolation deck drain, Dura-Coated cast iron upper and lower bodies, clamp collar with seepage holes, neoprene flex gasket, 4 [102] No-Hub and isolation nipple. Upper body with rotatable light-duty square cast iron promenade frame, frame clamps, veneer frame and grate, in nickel bronze.

**OPTIONS** (Check/specify appropriate options)

**PIPE SIZE**

- 3 thru 6 [76 thru 152]
- 3 thru 4, 6 [76 thru 102, 152]
- 3 thru 6 [76 thru 152]
- 3 thru 6 [76 thru 152]
- 3 thru 4 [76 thru 102]

(Specify size/type) **OUTLET**

- \_\_\_ IC Inside Caulk
- \_\_\_ IG Inside Caulk w/Sealtrol Gskt.
- \_\_\_ IP Threaded
- \_\_\_ NH No-Hub
- \_\_\_ NL Neo-Loc

**'E' BODY HT. DIM.**

- 5 1/4 [133]
- 5 1/4 [133]
- 3 3/4 [95]
- 5 1/4 [133]
- 4 5/8 [117]

**PREFIXES**

- \_\_\_ ZB D.C.C.I Body w/ Polished Bronze Top
- \_\_\_ ZN D.C.C.I Body w/ Polished Nickel Bronze Top\*

**SUFFIXES**

- \_\_\_ -C Underdeck Clamp (Lower Body)
- \_\_\_ -CC Clamp Collar (Upper Body)
- \_\_\_ -G Galvanized Cast Iron
- \_\_\_ -R Sump Receiver (Lower Body)
- \_\_\_ -TS Top Secured with Slotted Screws
- \_\_\_ -VP Vandal-Proof Secured Top
- \_\_\_ -Y Sediment Bucket (Upper Body)

\*REGULARLY FURNISHED UNLESS OTHERWISE SPECIFIED

REV.	DATE: 6/13/11	C.N. NO. 121399
DWG. NO. 306250		PRODUCT NO. Z627-91