



# Z1910-RL-83

8 x 8 x 6 [203 x 203 x 152] REPLACEMENT FLOOR SINK LINER WITH HEEL PROOF GRATE

SPECIFICATION SHEET

TAG \_\_\_\_\_

Dimensional Data (inches and [ mm ]) are Subject to Manufacturing Tolerances and Change Without Notice

**Engineering Specification:** ZURN Z1910-RL-83  
8" x 8" x 6" [203mm x 203mm x 152mm] deep, 18 gage, all type 304 (CF8) fabricated stainless steel replacement floor sink liner, with internal pipe gasket seal, light-duty slotted, heel proof loose set grate and perforated removable dome strainer.

Approx. Wt. Lbs. [kg]	Grate Open Area Sq. In. [cm <sup>2</sup> ]
5 [2]	12.2 [79]

### Options (Check/specify appropriate options)

#### Pipe Size (ØA)

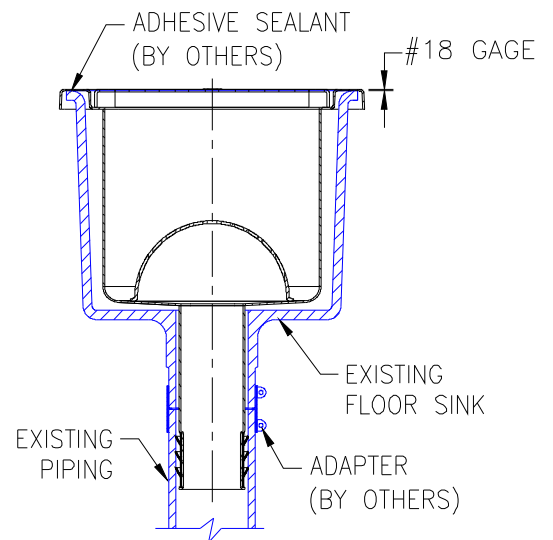
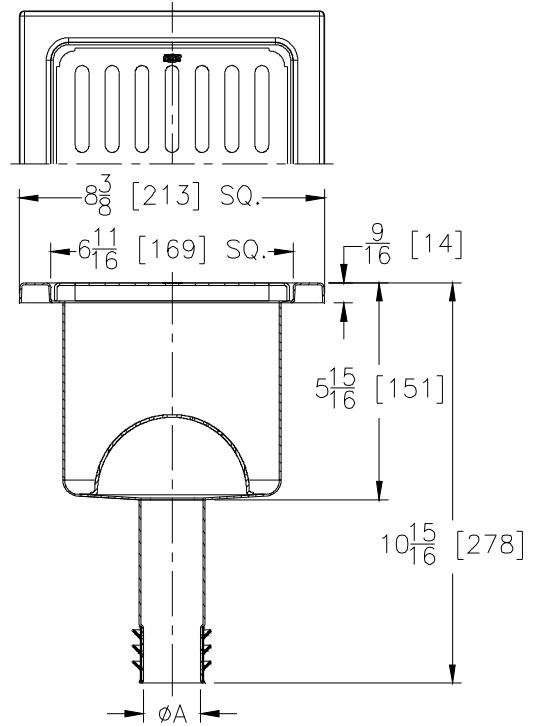
2,3,4 [51,76,102]

#### Prefixes

\_\_\_ Z All Type 304 (CF8) Fabricated Stainless Steel\*

#### Suffixes

- \_\_\_ -1 Less Grate
- \_\_\_ -2 1/2 Grate
- \_\_\_ -3 3/4 Grate
- \_\_\_ -Y Sediment Bucket



\* Regularly furnished unless otherwise specified.