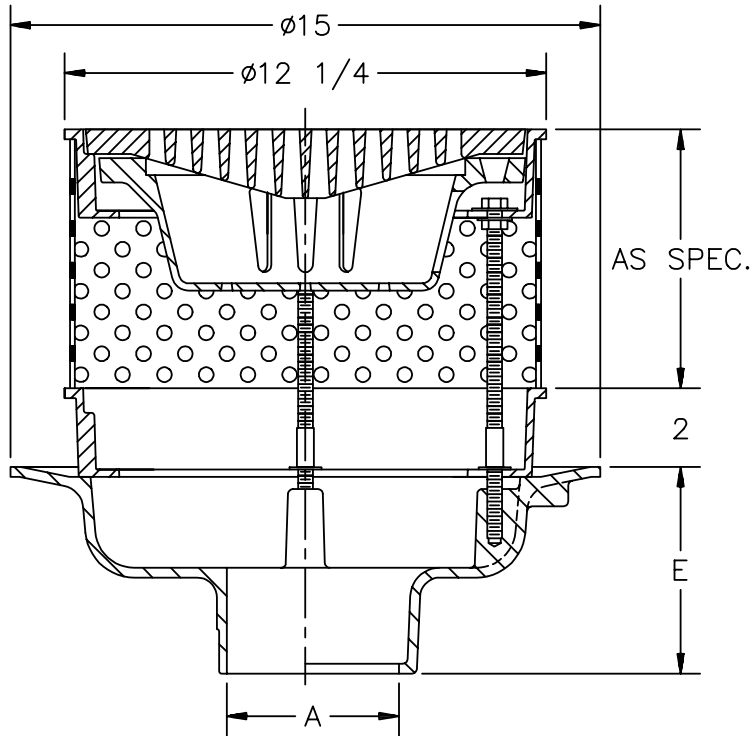




Z-541-95 12" DIAMETER HEAVY DUTY DRAIN

TAG: _____

Dimensional Data (inches and [mm]) are Subject to Manufacturing Tolerances and Change Without Notice



A- Pipe Size In.	Approx. Wt. Lbs.	Grate Open Area Sq. In.
2-3-4-5-6	52	29
8-10	54	

ENGINEERING SPECIFICATION: ZURN Z-541-95 12" Diameter top drain, Dura-Coated cast iron body with bottom outlet, seepage pan and combination membrane flashing clamp frame, perforated extension and secondary frame for heavy duty cast iron slotted grate with suspended sediment bucket.

OPTIONS (Check/specify appropriate options)

OUTLET (Specify type)

- _____ **IC** Inside Caulk
- _____ **IG** Inside Caulk w/Sealtrol Gskt.
- _____ **IP** Threaded
- _____ **NH** No-Hub
- _____ **NL** Neo-Loc
- _____ **NL** Neo-Loc

PIPE SIZE (Specify size)

- _____ 2" thru 6", 8", 10"
- _____ 2", 3", 4", 6"
- _____ 2" thru 6", 8", 10"
- _____ 2" thru 6", 8", 10"
- _____ 2" thru 4"
- _____ 5", 6"

'E' BODY HT. DIMENSION

- _____ 5-1/4"
- _____ 5-1/4"
- _____ 3-3/4"
- _____ 5-1/4"
- _____ 4-5/8"
- _____ 5-1/2"

PREFIXES

- _____ **Z-** D.C.C.I. Body and Grate*
- _____ **ZB-** D.C.C.I. Body with Polished Bronze Grate (Add 3/16" to 2" Dim.)
- _____ **ZN-** D.C.C.I. Body with Polished Nickel Bronze Grate (Add 3/16" to 2" Dim.)

SUFFIXES

- _____ **-DG** Duresist Grate
- _____ **-DX** Dex-o-tex Flange (See Z-532)
- _____ **-G** Galvanized Cast Iron
- _____ **-LY** (Less) Bucket
- _____ **-P** Trap Primer Connection
- _____ **-S** Secondary Strainer
- _____ **-SS** Stainless Mesh Liner for Bucket
- _____ **-V** Backwater Valve (See Z-1099)
- _____ **-VP** Vandal Proof Secured Top
- _____ **-90** 90° Threaded Side Outlet Body (2" thru 6")

*REGULARLY FURNISHED UNLESS OTHERWISE SPECIFIED

REV.	DATE: 10/26/93	C.N. NO. 69350
DWG. NO. P-13888 PRODUCT NO. Z-541-95		