

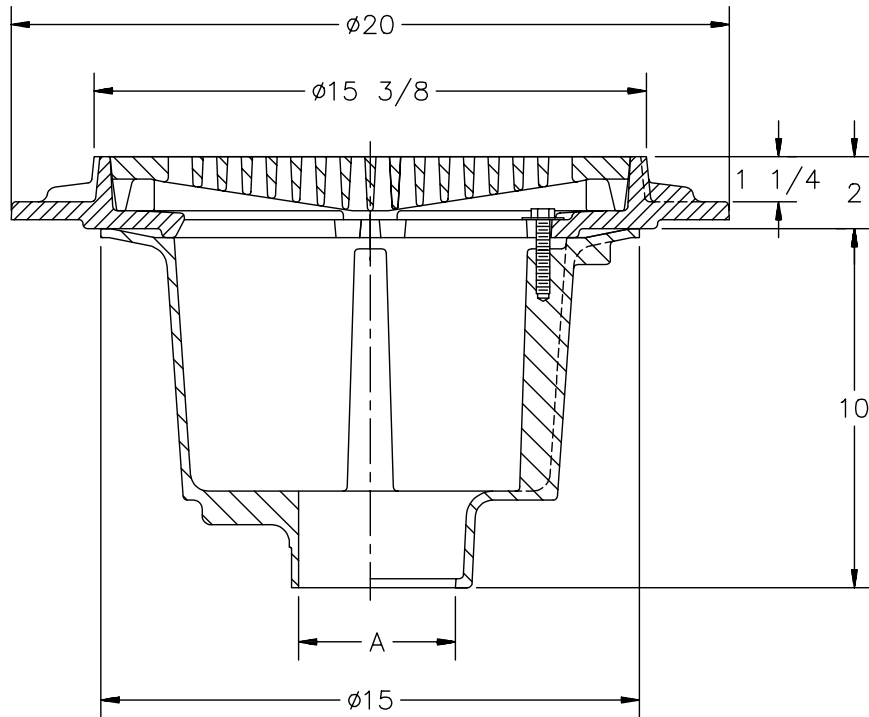


# Z-538-75

## 15" MEDIUM DUTY DRAIN WITH DEEP SUMP

TAG \_\_\_\_\_

Dimensional Data (inches and [ mm ]) are Subject to Manufacturing Tolerances and Change Without Notice



A- Pipe Size In.	Approx. Wt. Lbs.	Grate Open Area Sq. In.
3-4-5-6	78	56
8	80	

**ENGINEERING SPECIFICATION:** ZURN Z-538-75 15" Diameter top drain. Dura-Coated cast iron deep sump body with bottom outlet and seepage pan, heavy duty support flange with medium duty slotted grate.

**OPTIONS** (Check/specify appropriate options)

**OUTLET** (Specify type)

- \_\_\_\_\_ **IC**     Inside Caulk
- \_\_\_\_\_ **IG**     Inside Caulk w/Sealtrol Gskt.
- \_\_\_\_\_ **NH**     No-Hub

**PIPE SIZE** (Specify size)

- \_\_\_\_\_ 3" thru,6"
- \_\_\_\_\_ 3", 4",6"
- \_\_\_\_\_ 3" thru 6",8"

**PREFIXES**

- \_\_\_\_\_ **Z-**     D.C.C.I. Body and Grate\*
- \_\_\_\_\_ **ZB-**    D.C.C.I. Body with Polished Bronze Grate (Add 3/16" to 2" Dim.)
- \_\_\_\_\_ **ZN-**    D.C.C.I. Body with Polished Nickel Bronze Grate (Add 3/16" to 2" Dim.)

**SUFFIXES**

- \_\_\_\_\_ **-G**     Galvanized Cast Iron
- \_\_\_\_\_ **-VP**    Vandal Proof Secured Top

<b>REV.</b>	<b>DATE:</b> 2/24/95	<b>C.N. NO.</b> 70906
<b>DWG. NO. P-14142    PRODUCT NO. Z-538-75</b>		

\*REGULARLY FURNISHED UNLESS OTHERWISE SPECIFIED

ZURN INDUSTRIES, INC. ♦ SPECIFICATION DRAINAGE OPERATION ♦ 1801 Pittsburgh Ave. ♦ Erie, PA 16514

Phone: 814/455-0921 ♦ Fax: 814/454-7929 ♦ World Wide Web: www.zurn.com

In Canada: ZURN INDUSTRIES LIMITED ♦ 3544 Nashua Drive ♦ Mississauga, Ontario L4V1L2 ♦ Phone: 905/405-8272 Fax: 905/405-1292