



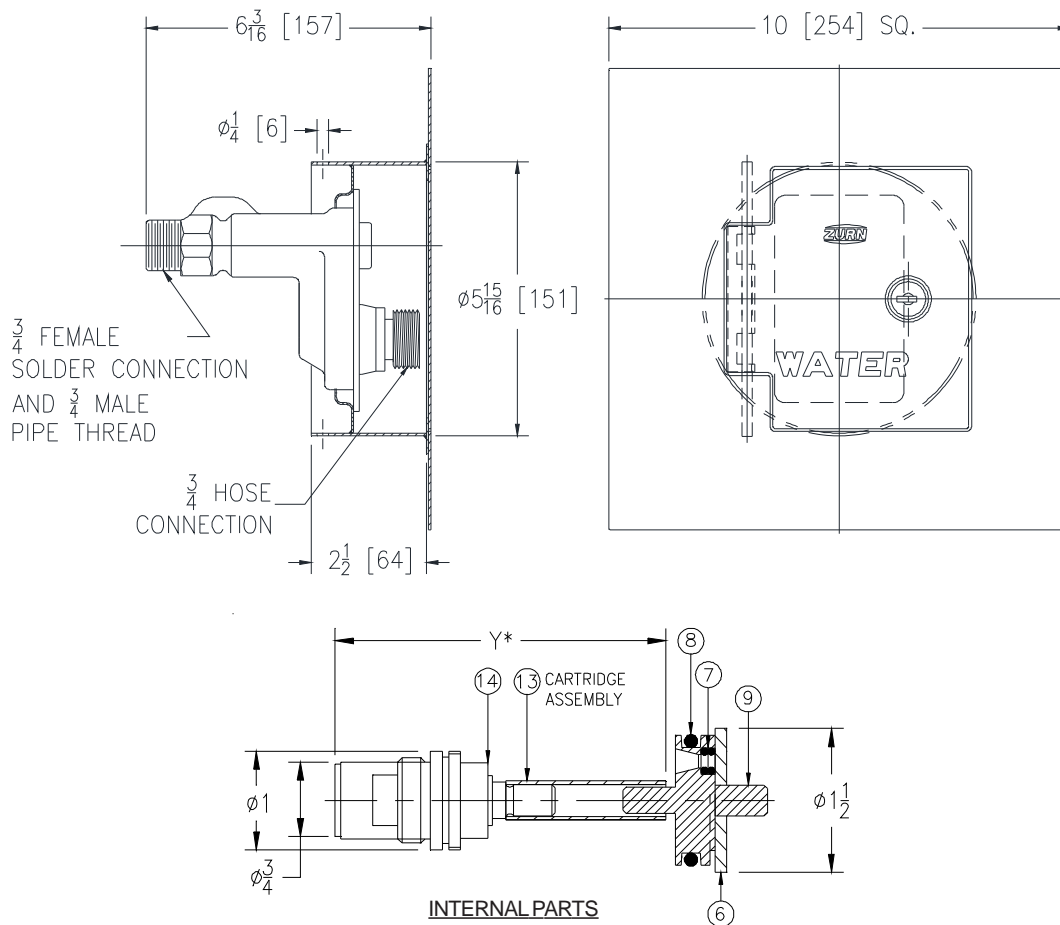
# Z1332-EZ

ECOLOtrol CERAMIC DISC WALL HYDRANT  
ENCASED, ANTI-SIPHON, AUTOMATIC DRAINING,  
MODERATE CLIMATE

SPECIFICATION SHEET

TAG \_\_\_\_\_

Dimensional Data (inches and [ mm ]) are Subject to Manufacturing Tolerances and Change Without Notice



Wall Thickness In [mm]	Approx. Wt. Lbs. [kg]
8 [203]	4 [2]

### ENGINEERING SPECIFICATION: ZURN Z1332-EZ

Encased Ecolotrol "anti-siphon" moderate climate/interior wall hydrant. For flush installation in 6" [152mm] dia. cored hole concrete wall. Complete with integral backflow preventer, all bronze interior parts with 1/2 turn ceramic disc cartridge and combination 3/4" female solder and 3/4" male pipe thread inlet. Stainless steel large flange box and hinged cover with operating key lock and "WATER" stamped on cover.

### OPTIONS (Check/specify appropriate options)

#### SUFFIXES

- \_\_\_ -CL Cylinder Lock
- \_\_\_ -RK Hydrant Parts Repair Kit
- \_\_\_ -RT12 Ceramic Cartridge Removal Tool (Up to 12 [305] Wall)
- \_\_\_ -8 8 [203] Dia. Cored Hole

### PARTS LIST

Item	Name	Quan.
14	Cartridge	1
13	Operating Tube	1
9	Operating Coupling	1
8	O-Ring	1
7	O-Ring	2
6	Retaining Washer	1



PAT. NO. 7,395,834

\* Regularly furnished unless otherwise specified.

Zurn Industries, LLC | Specification Drainage Operation  
1801 Pittsburgh Avenue, Erie, PA U.S.A. 16502 · Ph. 855-663-9876, Fax 814-454-7929  
In Canada | Zurn Industries Limited  
3544 Nashua Drive, Mississauga, Ontario L4V 1L2 · Ph. 905-405-8272, Fax 905-405-1292  
[www.zurn.com](http://www.zurn.com)

Rev. F  
Date: 10/18/17  
C.N. No. 138957  
Prod. | Dwg. No. Z1332-EZ