



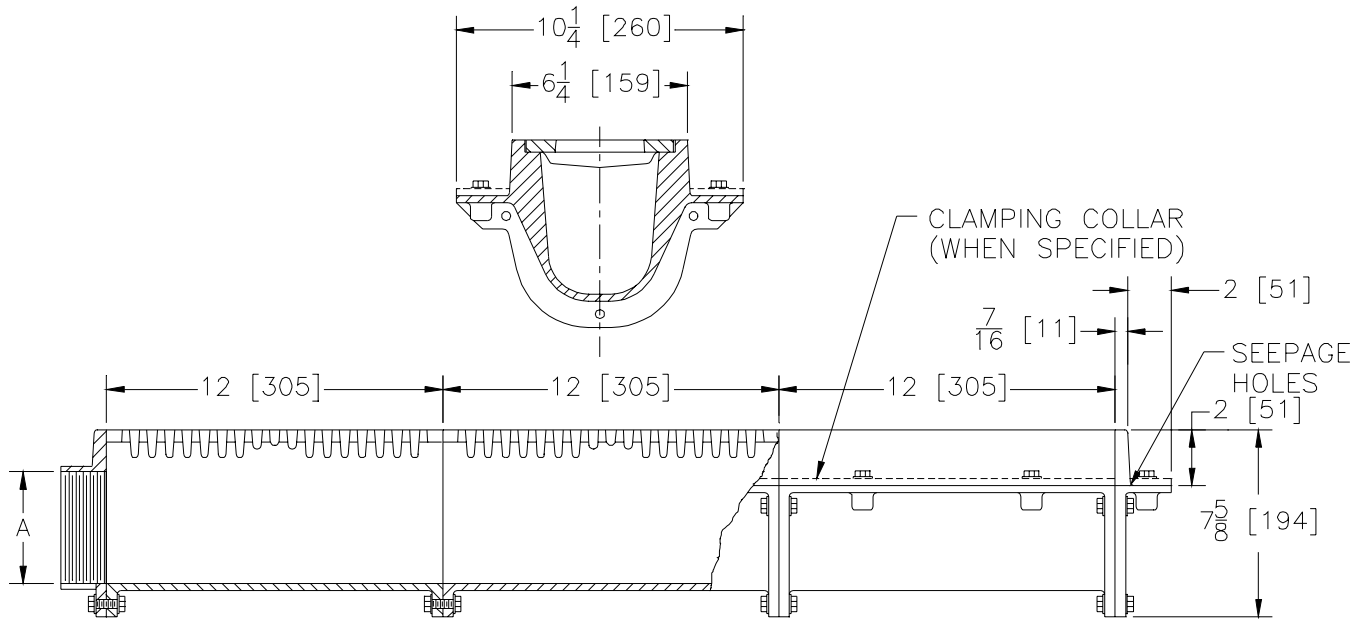
# Z-664-M

SPECIFICATION SHEET

## 6 [152] WIDE MODULAR TRENCH DRAIN EXTRA HEAVY DUTY

TAG \_\_\_\_\_

Dimensional Data (inches and [ mm ]) are Subject to Manufacturing Tolerances and Change Without Notice



A- Pipe Size Inches	Approx. Wt. Lbs.	Grate Open Area Sq. In.
2-3-4 [50-75-100]	35 [16]	15 [97]

**ENGINEERING SPECIFICATION** Z-664-M 6" [305] Wide top modular trench drain, Dura-Coated cast iron deep sump body with side outlet. Both 12" [305] long outlet module and 12" [305] extension module are complete with integral seepage pan and heavy duty loose slotted grate.

### OPTIONS (Check/specify appropriate options)

#### OUTLET (Specify type)

- \_\_\_\_\_ IP Threaded
- \_\_\_\_\_ NH No-Hub .

#### PIPE SIZE (Specify size)

- \_\_\_\_\_ 2",3",4" [50,75,100]
- \_\_\_\_\_ 2",3",4" [50,75,100]

### PREFIXES

- \_\_\_\_\_ Z- D.C.C.I. Body and Grate\*
- \_\_\_\_\_ ZB- D.C.C.I. Body w/Polished Bronze Grate
- \_\_\_\_\_ ZN- D.C.C.I. Body w/Polished Nickel Bronze Grate

### SUFFIXES

- \_\_\_\_\_ -AR Acid Resisting Epoxy Coated Finish (Per. Section)
- \_\_\_\_\_ -C Clamp Collar (Per Section)
- \_\_\_\_\_ -DG Duresist Grate
- \_\_\_\_\_ -ES 12" [305] Extension Section (Specify Number of Sections Required)
- \_\_\_\_\_ -G Galvanized Cast Iron
- \_\_\_\_\_ -VP Vandal Proof Secured Top

\*REGULARLY FURNISHED UNLESS OTHERWISE SPECIFIED

REV. _____	DATE: <u>6/29/93</u>	C.N. NO. <u>69095</u>
DWG. NO. <u>57733</u>	PRODUCT NO. <u>Z-664-M</u>	

ZURN INDUSTRIES, INC. ♦ SPECIFICATION DRAINAGE OPERATION ♦ 1801 Pittsburgh Ave. ♦ Erie, PA 16514

Phone: 814/455-0921 ♦ Fax: 814/454-7929 ♦ World Wide Web: www.zurn.com

In Canada: ZURN INDUSTRIES LIMITED ♦ 3544 Nashua Drive ♦ Mississauga, Ontario L4V1L2 ♦ Phone: 905/405-8272 Fax: 905/405-1292