



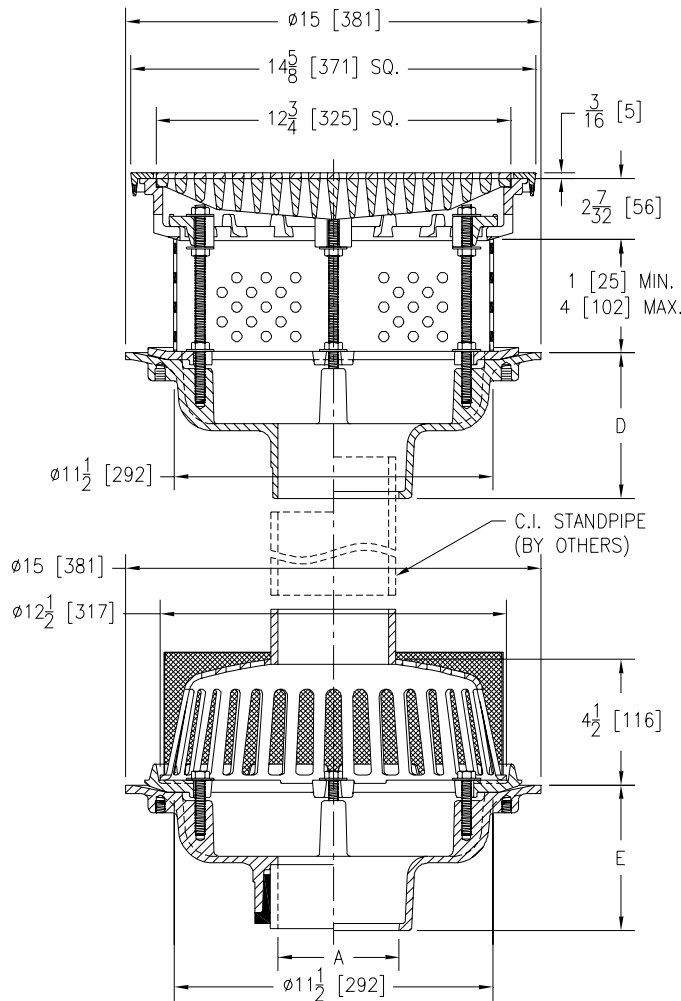
# Z100-200

15 [381] DIAMETER ROOF DRAIN WITH  
14 5/8 [371] SQUARE TOP PROM-DECK DRAIN

SPECIFICATION SHEET

TAG \_\_\_\_\_

Dimensional Data (inches and [ mm ]) are Subject to Manufacturing Tolerances and Change Without Notice



A- Pipe Size In.	Approx. Wt. Lbs. [kg]	Grate Open Area Sq. In. [cm <sup>2</sup> ]	Dome Open Area Sq. In. [cm <sup>2</sup> ]
2-3-4 [51-76-102]	51 [23]	44 [284]	103 [665]
5-6 [127-153]	52 [24]		
8 [203]	53 [24]		
10 [254]	55 [25]		

### ENGINEERING SPECIFICATION: ZURN

Z100-200 15 [381] Diameter Roof Drain, Dura-Coated cast iron body, combination membrane flashing clamp/gravel guard, low silhouette cast iron dome with pipe coupling and stainless steel mesh screen. Upper body consists of a ZB150 14 5/8 [371] Top Prom-Deck drain with Dura-Coated cast iron body, perforated extension, rotatable square promenade frame with seepage openings, frame clamps and heavy duty heel-proof grate with polished bronze veneer.

### OPTIONS (Check/specify appropriate options)

#### OUTLET (Specify type)

- \_\_\_\_\_ **IC** Inside Caulk
- \_\_\_\_\_ **IG** Inside Caulk w/Sealtrol Gskt.
- \_\_\_\_\_ **IP** Threaded
- \_\_\_\_\_ **NH** No-Hub
- \_\_\_\_\_ **NL** Neo-Loc

#### PIPE SIZE (Specify size)

- \_\_\_\_\_ 2,3,4 [51,76,102]
- \_\_\_\_\_ 2,3,4 [51,76,102]
- \_\_\_\_\_ 2,3,4 [51,76,102]
- \_\_\_\_\_ 2,3,4 [51,76,102]
- \_\_\_\_\_ 2,3,4 [51,76,102]

#### 'D' BODY HT. DIMENSION

- \_\_\_\_\_ 5 1/4 [133]
- \_\_\_\_\_ 5 1/4 [133]
- \_\_\_\_\_ 3 3/4 [95]
- \_\_\_\_\_ 5 1/4 [133]
- \_\_\_\_\_ 4 5/8 [117]

#### 'E' BODY HT. DIMENSION

- \_\_\_\_\_ 5 1/4 [133]
- \_\_\_\_\_ 5 1/4 [133]
- \_\_\_\_\_ 3 3/4 [95]
- \_\_\_\_\_ 5 1/4 [133]
- \_\_\_\_\_ 4 5/8 [117]

#### PREFIXES

- \_\_\_\_\_ **ZC** D.C.C.I. Body with Cast Iron Dome

REV.	DATE: 4/14/09	C.N. NO. 99902
DWG. NO. P-15691 PRODUCT NO. Z100-200		

\*REGULARLY FURNISHED UNLESS OTHERWISE SPECIFIED

ZURN INDUSTRIES, LLC ♦ SPECIFICATION DRAINAGE OPERATION ♦ 1801 Pittsburgh Ave. ♦ Erie, PA 16514

Phone: 814/455-0921 ♦ Fax: 814/454-7929 ♦ World Wide Web: www.zurn.com

In Canada: ZURN INDUSTRIES LIMITED ♦ 3544 Nashua Drive ♦ Mississauga, Ontario L4V1L2 ♦ Phone: 905/405-8272 Fax: 905/405-1292