

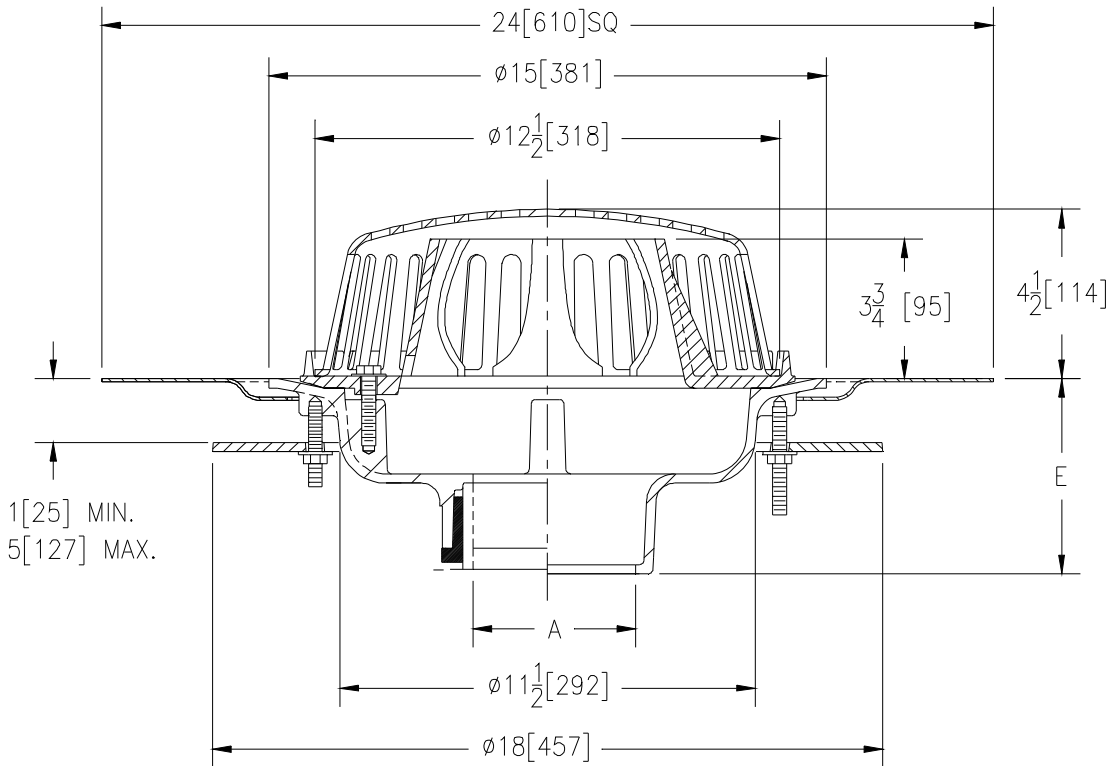


Z105-C-R
CONTROL-FLO ROOF DRAIN WITH
PARABOLIC WEIR, UNDERDECK CLAMP
AND ROOF SUMP RECEIVER

SPECIFICATION SHEET

TAG _____

Dimensional Data (inches and [mm]) are Subject to Manufacturing Tolerances and Change Without Notice



| Specify Number of Notches in Weir | |
|-----------------------------------|---------------|
| ___ -N1 | One Notch |
| ___ -N2 | Two Notches |
| ___ -N3 | Three Notches |
| ___ -N4 | Four Notches |
| ___ -N5 | Five Notches |
| ___ -N6 | Six Notches |

| A- Pipe Size In.[mm] | Approx. Wt. Lbs. [kg] | Dome Open Area Sq. In. [cm ²] |
|-------------------------|-----------------------------|--|
| 2,3,4 [51,76,102] | 49 [22] | 103 [665] |

ENGINEERING SPECIFICATION: ZURN Z105-C-R

Control-Flo roof drain for Dead-Level roof construction, Dura-Coated cast iron body, "Control-Flow" weir shall be linear functioning with integral membrane flashing clamp/gravel guard, Poly-Dome, roof sump receiver and underdeck clamp. All data shall be verified proportional to flow rates. Each notch will allow 10 GPM of flow per inch of rain water build up above drain.

OPTIONS (Check/specify appropriate options)

PIPE SIZE

- 3, 4 [76,102]
- 2, 3, 4 [51,76,102]
- 2, 3, 4 [51,76,102]

(Specify size/type) **OUTLET**

- ___ IC Inside Caulk
- ___ NH No-Hub
- ___ NL Neo-Loc

E BODY HT. DIM.

- 5-1/4 [133]
- 5-1/4 [133]
- 4-5/8 [117]

PREFIXES

- ___ Z D.C.C.I. Body with Poly-Dome*
- ___ ZA D.C.C.I. Body with High Aluminum Dome
- ___ ZC D.C.C.I. Body with Cast Iron Dome

SUFFIXES

- ___ -E Static Extension 1 [25] thru 4 [102] (Specify Ht.)
- ___ -EA Adjustable Extension Assembly
2-1/8 [54] thru 3-1/2 [89]
- ___ -G Galvanized Cast Iron
- ___ -TC Neo-Loc Test Cap Gasket
(2,3,4 [51,76,102] NL Bottom Outlet Only)
- ___ -VP Vandal Proof Secured Top
- ___ -10 6 [152] High Parabolic Weir for Sloped Roof

* Regularly furnished unless otherwise specified.