



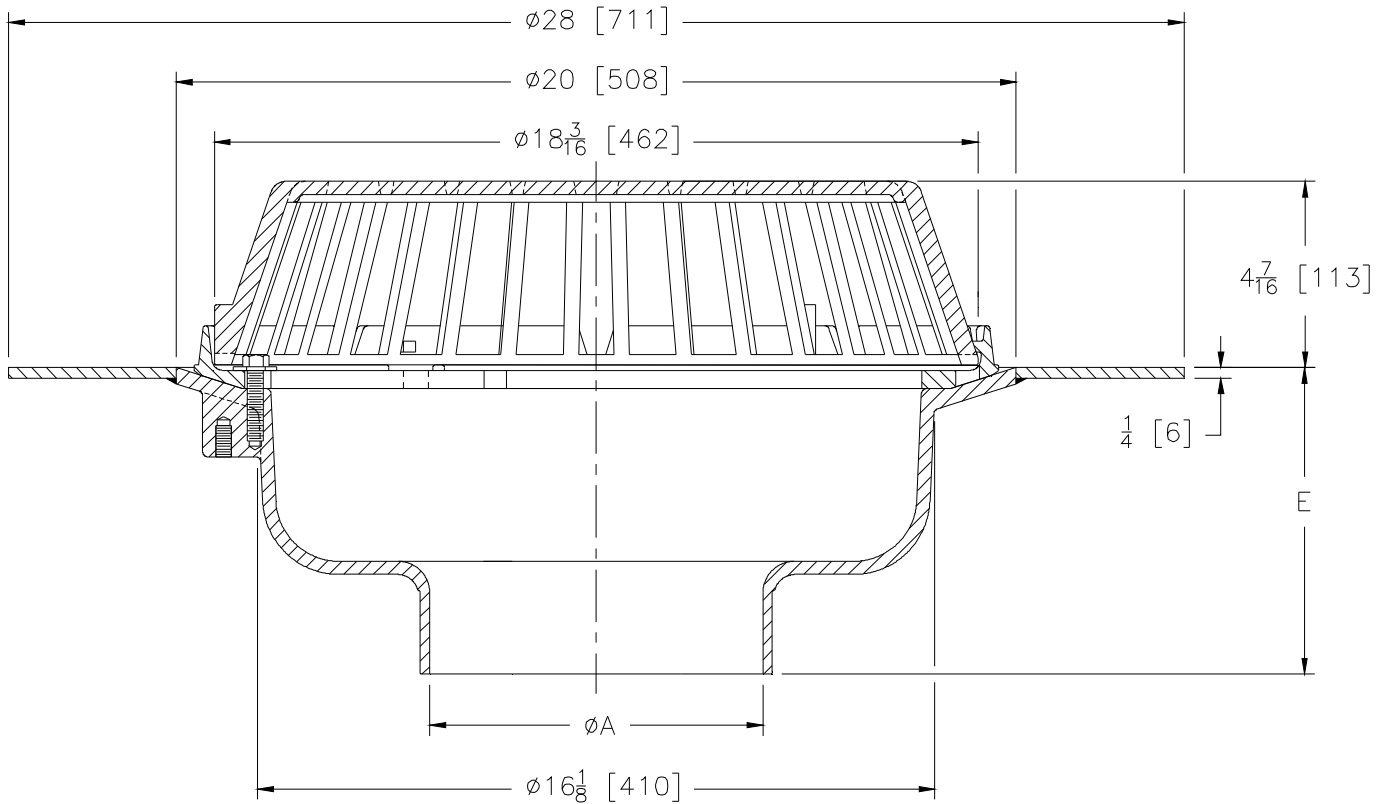
Z101-87

SPECIFICATION SHEET

HIGH CAPACITY Ø20 [508] MAIN ROOF DRAIN W/ LOW SILHOUETTE DOME & DEX-O-TEX FLANGE

TAG _____

Dimensional Data (inches and [mm]) are Subject to Manufacturing Tolerances and Change Without Notice



A- Pipe Size In.	Approx. Wt. Lbs. [kg]	Dome Open Area Sq. In. [cm ²]
8 [203]	98 [44]	216 [1394]
10 [245]	99 [45]	
12 [305]	100 [45]	

ENGINEERING SPECIFICATION: ZURN Z101-87
20 [508] Diameter roof drain. Dura-Coated cast iron body with Dex-O-Tex flange, combination membrane flashing clamp/gravel guard and low silhouette dome.

PIPE SIZE
8, 10, 12 [203, 254, 305]

(Specify size) **OUTLET**
_____ NH No-Hub

'E' BODY HT. DIM.
7-5/16 [185]

PREFIXES
_____ Z D.C.C.I. Body with Cast Iron Dome*

- SUFFIXES**
- _____ -AR Acid Resistant Epoxy Coated
 - _____ -E Static Extension 1 [25] thru 4 [102] (Specify Height)
 - _____ -EB Top-Set® Adjustable Extension Assembly
 - _____ -FG Flush Grate
 - _____ -G Galvanized Cast Iron
 - _____ -W2 2 [51] Internal Water Dam
 - _____ -W3 3 [76] Internal Water Dam
 - _____ -W4 4 [102] Internal Water Dam
 - _____ -89 2 [51] High External Water Dam

REV.	DATE: 07/17/12	C.N. NO. 124574
DWG. NO. 310114	PRODUCT NO. Z101-87	

*REGULARLY FURNISHED UNLESS OTHERWISE SPECIFIED