

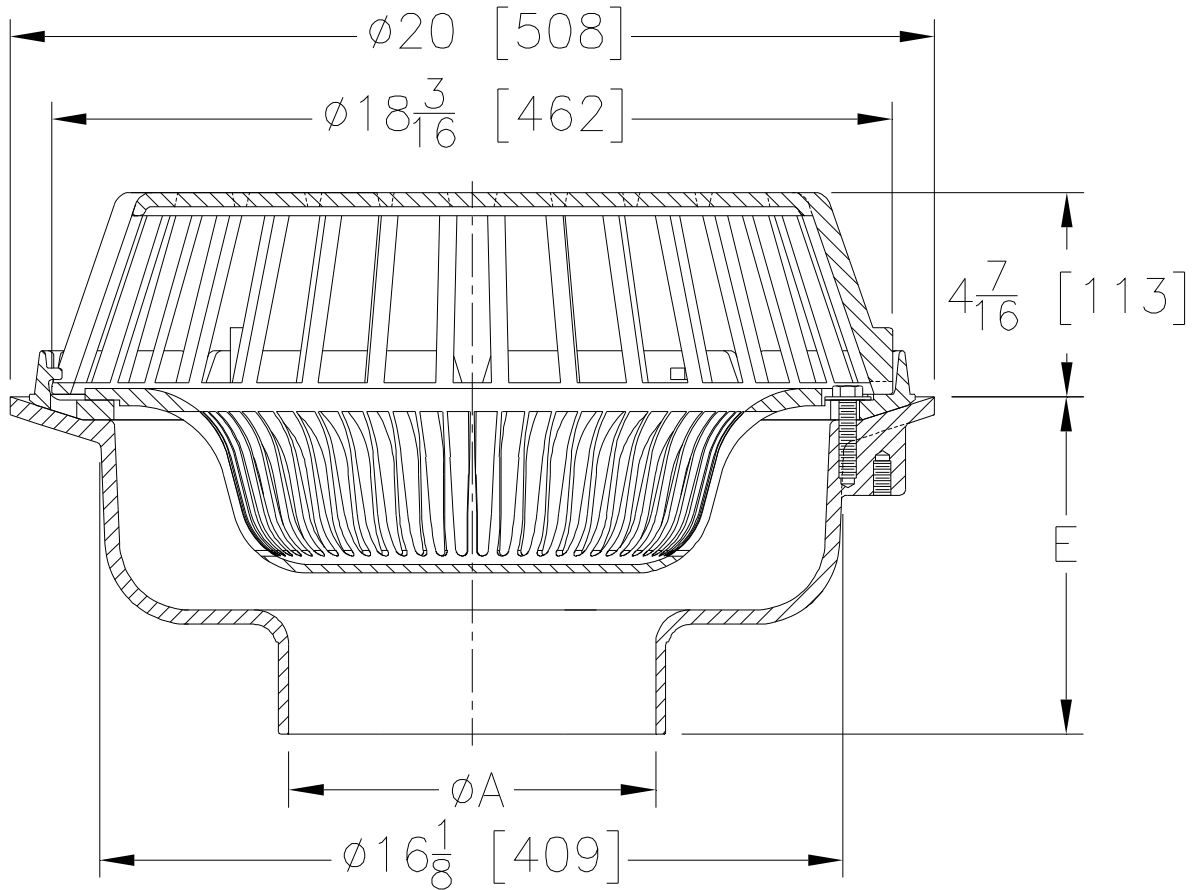


**Z101-83**  
**20 [508] DIAMETER MAIN ROOF DRAIN**  
**LOW SILHOUETTE DOME W/SEDIMENT BUCKET**

SPECIFICATION SHEET

TAG \_\_\_\_\_

Dimensional Data (inches and [mm]) are Subject to Manufacturing Tolerances and Change Without Notice



A- Pipe Size In.	Approx. Wt. Lbs. [kg]	Dome Open Area Sq. In. [cm <sup>2</sup> ]
8 [203]	77 [35]	216 [1394]
10 [245]	78 [35]	
12 [305]	79 [36]	

**ENGINEERING SPECIFICATION: ZURN Z101-83**  
 20 [508] Diameter roof drain. Dura-Coated cast iron body with combination membrane flashing clamp/gravel guard, low silhouette dome, and sediment bucket.

**PIPE SIZE**  
 8, 10, 12 [203, 254, 305]

(Specify size) **OUTLET**  
 \_\_\_\_\_ NH No-Hub

**'E' BODY HT. DIM.**  
 7 5/16 [185]

**PREFIXES**  
 \_\_\_\_\_ Z D.C.C.I. Body with Cast Iron Dome\*

**SUFFIXES**  
 \_\_\_\_\_ -AR Acid Resistant Epoxy Coated  
 \_\_\_\_\_ -DP Top-Set® Roof Deck Plate (Replaces both the -C and -R)  
 \_\_\_\_\_ -E Static Extension 1 [25] thru 4 [102] (Specify Height)  
 \_\_\_\_\_ -EB Top-Set® Adjustable Extension Assembly  
 \_\_\_\_\_ -G Galvanized Cast Iron  
 \_\_\_\_\_ -89 2 [51] High External Water Dam

REV.	DATE: 3/17/09	C.N. NO. 99812
DWG. NO. P-15676 PRODUCT NO. Z101-83		