



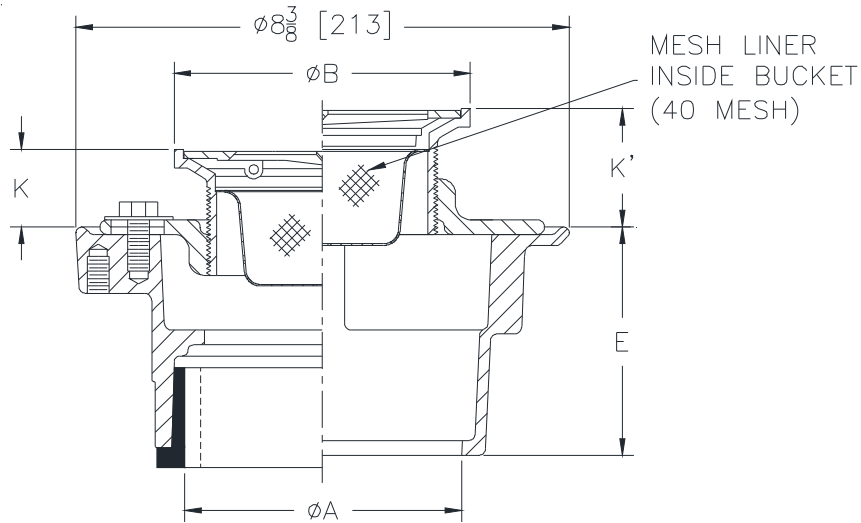
Z415C-78

BODY ASSEMBLY W/ "TYPE C" STRAINER AND BUCKET WITH MESH LINER

SPECIFICATION SHEET

TAG _____

Dimensional Data (inches and [mm]) are Subject to Manufacturing Tolerances and Change Without Notice



Dimensions In Inches [mm]						Approx. Wt. Lbs. [Kg.]	Strainer Open Area Sq. In. [Cm ²]
A - Pipe Size	B Strainer Diameter	K		K'			
		Min.	Max.	Min.	Max.		
2,3 [51,76]	5 [127]	7/8 [22]	1-3/4 [44]	1-1/2 [38]	2-5/8 [67]	12 [5]	9 [58]
2,3,4 [51,76,102]	6 [152]	1 [25]	1-7/8 [48]	1-5/8 [41]	2-7/8 [73]	13 [6]	13 [84]
2,3,4 [51,76,102]	7 [178]	1-1/4 [32]	2-5/8 [67]	1-5/8 [41]	3-1/2 [89]	14 [6]	21 [135]
3,4 [76,102]	8 [203]	1-1/4 [32]	2-5/8 [67]	2 [51]	3-1/2 [89]	15 [7]	28 [181]
6 [152]	9 [229]	1-1/4 [32]	2-5/8 [67]	2 [51]	3-1/2 [89]	19 [9]	28 [181]
6 [152]	10 [254]	1-1/4 [32]	2-5/8 [67]	2 [51]	3-1/2 [89]	21 [10]	28 [181]

ENGINEERING SPECIFICATION: ZURN Z415C-78

Floor and shower drain, Dura-Coated cast iron body with bottom outlet, combination invertible membrane clamp and adjustable collar with "TYPE C" polished hinged, nickel bronze heel-proof strainer and sediment bucket with mesh liner.

OPTIONS (Check/specify appropriate options)

PIPE SIZE

- 2,3,4 [51,76,102]
- 2,3,4 [51,76,102]
- 2 [51]
- 3 [76]
- 4 [102]
- 6 [152]
- 2,3,4 [51,76,102]
- 2,3,4 [51,76,102]

(Specify size/type) **OUTLET**

- _____ IC Inside Caulk
- _____ IG Inside Gasket
- _____ IP Threaded
- _____ IP Threaded
- _____ IP Threaded
- _____ IP Threaded
- _____ NH No-Hub
- _____ NL Neo-Loc

'E' BODY HT. DIM.

- 3-7/8 [98]
- 3-7/8 [98]
- 2-3/8 [60]
- 2-5/8 [67]
- 2-7/8 [73]
- 2-3/4 [70]
- 3-7/8 [98]
- 4-5/8 [117]

PREFIXES

- _____ ZB D.C.C.I. Body Assembly w/ Polished Bronze Top
- _____ ZN D.C.C.I. Body Assembly w/ Polished Nickel Bronze Top*

SUFFIXES

- _____ -AR Acid Resisting Epoxy Coated Cast Iron
- _____ -CP Chrome-Plated Bronze Top
- _____ -G Galvanized Cast Iron
- _____ -P Trap Primer Connection (Specify 1/2 [13] or 3/4 [19])
- _____ -SA Stabilizer Assembly (See Z1035)
- _____ -SQ Stabilizer Q-Deck (See Z1035-Q)
- _____ -SR Stabilizer Ring
- _____ -TC Neo-loc Test Cap Gasket (2 ,3,4 [51,76,102] NL Bottom Outlet Only)
- _____ -U 1 -3 [25- 76] High Extension Adapter
- _____ -VP Vandal-Proof Secured Top
- _____ -18 Leveling Ring (See Z400-18)
- _____ -90 90° Threaded Side Outlet Body Assembly (2 [51], 3 [76] Only)

* Regularly furnished unless otherwise specified.