



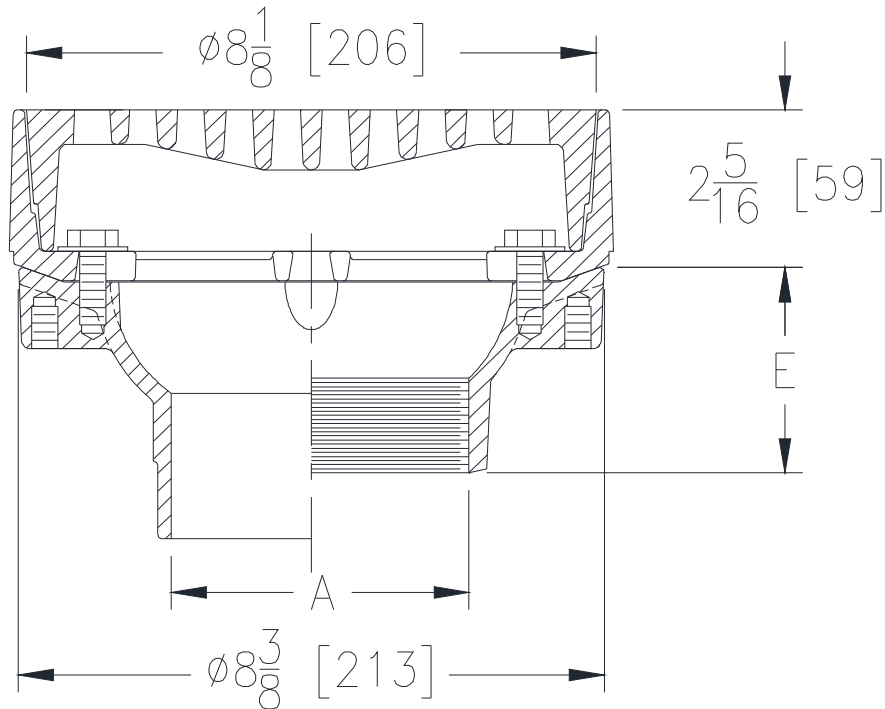
Z125-FG-89

8-3/8 [213] DIAMETER ROOF DRAIN W/
EXTERNAL WATER DAM AND FLUSH GRATE

SPECIFICATION SHEET

TAG _____

Dimensional Data (inches and [mm]) are Subject to Manufacturing Tolerances and Change Without Notice



A Pipe Size In.[mm]	Approx. Wt. Lbs. [kg]	Grate Open Area Sq. In. [cm ²]
2,3,4 [51,76,102]	22 [10]	13 [84]

ENGINEERING SPECIFICATION: ZURN Z125-FG-89
8-3/8" [213mm] Diameter roof drain, Dura-Coated cast iron body with combination membrane flashing clamp/gravel guard, 2" [51mm] high external water dam and flush grate.

OPTIONS (Check/specify appropriate options)

PIPE SIZE	(Specify size/type) OUTLET	'E' BODY HT. DIM.
2,3,4 [51,76,102]	___ IC Inside Caulk	3-7/8 [98]
2 [51]	___ IP Threaded	2-7/16 [62]
3 [76]	___ IP Threaded	2-3/4 [70]
4 [102]	___ IP Threaded	3 [76]
2,3,4 [51,76,102]	___ NH No-Hub	4 [102]
2,3,4 [51,76,102]	___ NL Neo-Loc	3-13/16 [97]

PREFIXES

___ Z D.C.C.I. Body with Grate*

SUFFIXES

___ -AR Acid Resistant Epoxy Coated Finish	___ -TC Neo-Loc Test Cap Gasket
___ -C Underdeck Clamp	(2,3,4 [51,76,102] NL Bottom Outlet Only)
___ -DP Top-Set® Roof Deck Plate	___ -VP Vandal-Proof Secured Top
(Replaces both the -C and -R)	___ -XJ Vertical Expansion Joint (See Z190)
___ -E 2 [51] High Static Extension (Specify Height)	___ -84 Stainless Steel Perforated Gravel Guard
___ -EB Top-Set® Adjustable Extension Assembly	___ -90 90° Threaded Side Outlet Body
___ -G Galvanized Cast Iron	(2,3,4 [51,76,102])
___ -R Roof Sump Receiver	
___ -SC Secondary Clamping Collar	

* Regularly furnished unless otherwise specified.