

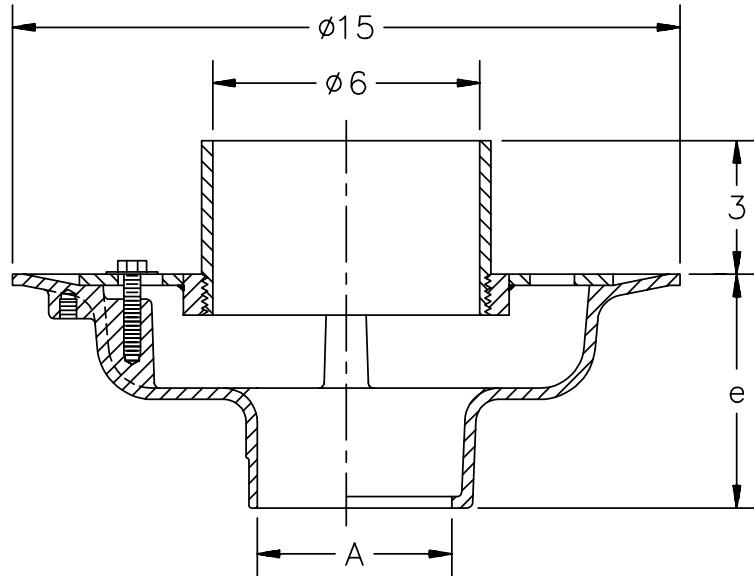


Z-100-123

ROOF DRAIN WITH INTERNAL WATERGUARD

TAG _____

Dimensions Subject to Manufacturing Tolerances



A- Pipe Size In.	Approx. Wt. Lbs.
2-3-4	27
5-6	

ENGINEERING SPECIFICATION: ZURN Z-100-123 Dura-Coated cast iron body, clamping ring with stainless steel mesh screen 3" high integral gravel stop and (22) 1" diameter holes.

OPTIONS (Check/specify appropriate options)

OUTLET (Specify type)

- ___ **IC** Inside Caulk
- ___ **IG** Inside Caulk w/Sealtrol Gskt.
- ___ **IP** Threaded
- ___ **NH** No-Hub
- ___ **NL** Neo-Loc
- ___ **NL** Neo-Loc

PIPE SIZE (Specify size)

- ___ 2" thru 6"
- ___ 2",3",4",6"
- ___ 2" thru 6"
- ___ 2" thru 6"
- ___ 2" thru 6"
- ___ 5",6"

'E' BODY HT. DIMENSION

- 5-1/4"
- 5-1/4"
- 3-3/4"
- 5-1/4"
- 4-5/8"
- 5-1/2"

PREFIXES

- ___ **Z-** D.C.C.I. Body*

SUFFIXES

- ___ **-C** Underdeck Clamp
- ___ **-DX** Dex-o-tex Flange
- ___ **-G** Galvanized Cast Iron
- ___ **-R** Roof Sump Receiver

REV.	DATE: 4/10/95	C.N. NO. 71558
DWG. NO. P-14160 PRODUCT NO. Z-100-123		

*REGULARLY FURNISHED UNLESS OTHERWISE SPECIFIED