



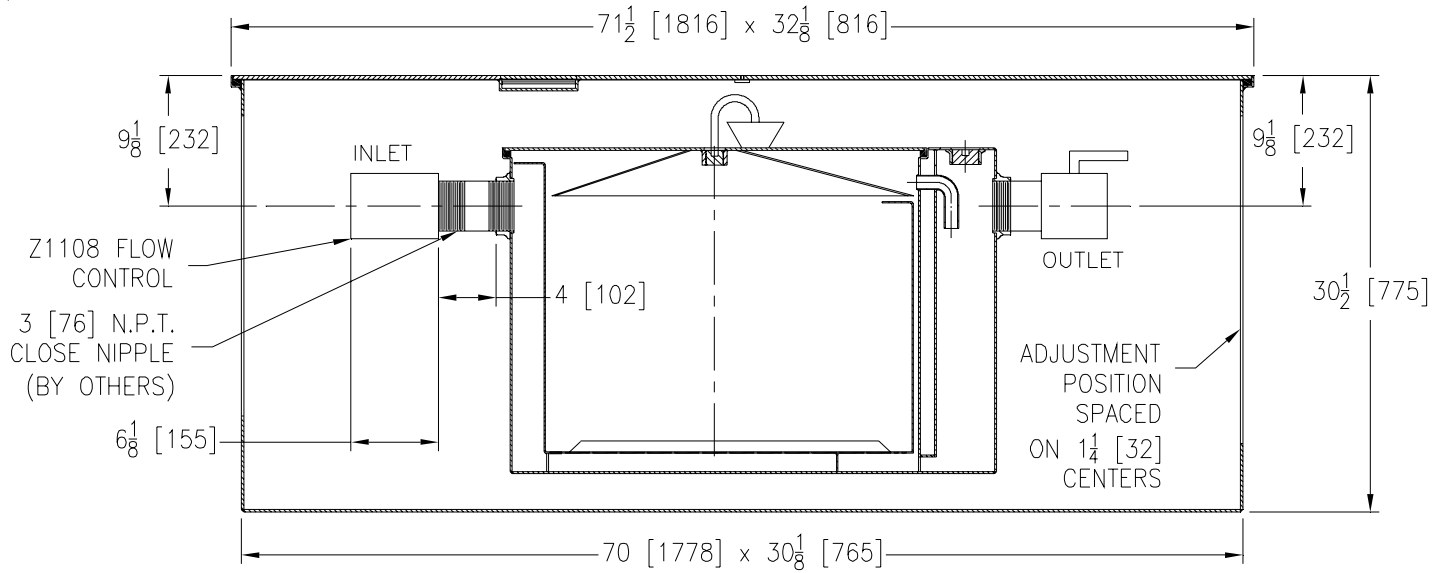
Z1173-85

SPECIFICATION SHEET

GREASEPTOR W/ GREASE ACCUMULATING CONE & ADJUSTABLE ENCLOSED RECESSING RECEIVER

TAG _____

Dimensional Data (inches and [mm]) are Subject to Manufacturing Tolerances and Changes Without Notice



ENGINEERING SPECIFICATION: ZURN Z1173-85

#900 Grease Interceptor with baffles, grease accumulating cone, acid resisting epoxy coated enclosed recessing receiver, two-piece nonslip cover, with Z1108 flow control and in-line closure valve.

REV. A	DATE: 2/5/08	C.N. NO. 98076
DWG. NO. P-14349 PRODUCT NO. Z1173-85		

*REGULARLY FURNISHED UNLESS OTHERWISE SPECIFIED

ZURN INDUSTRIES, LLC ♦ SPECIFICATION DRAINAGE OPERATION ♦ 1801 Pittsburgh Ave. ♦ Erie, PA 16514

Phone: 814/455-0921 ♦ Fax: 814/454-7929 ♦ World Wide Web: www.zurn.com

In Canada: ZURN INDUSTRIES LIMITED ♦ 3544 Nashua Drive ♦ Mississauga, Ontario L4V1L2 ♦ Phone: 905/405-8272 Fax: 905/405-1292