



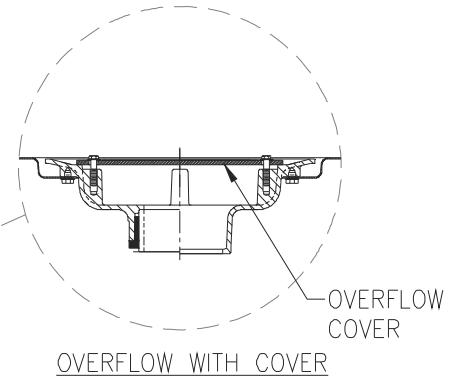
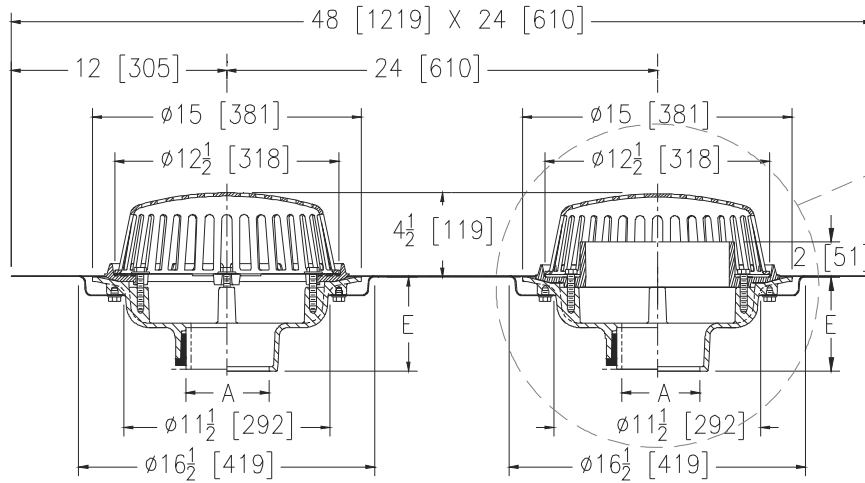
Z163-94

Ø15 [381] COMBINATION MAIN ROOF & OVERFLOW
DRAIN WITH LOW SILHOUETTE DOMES, DOUBLE
TOP-SET® DECK PLATE, & OVERFLOW COVER

SPECIFICATION SHEET

TAG _____

Dimensional Data (inches and [mm]) are Subject to Manufacturing Tolerances and Change Without Notice



OVERFLOW OPERATIONAL
(STANDARD SETUP)

A - Pipe Size In.[mm]	Approx. Wt. Lbs. [kg]	Dome Open Area Sq. In. [cm ²]
2,3,4 [51,76,102]	73 [33]	103 [665]
5,6 [127,152]	74 [34]	
8 [203]	75 [34]	

ENGINEERING SPECIFICATION: ZURN Z163-94

15" [381 mm] Diameter roof drain and overflow drain, Dura-Coated cast iron bodies with combination membrane flashing clamp/gravel guards, double Top-Set® deck plate, and low silhouette Poly-Domes. Equipped with cover for the overflow drain; complete with plate, gasketed washers and fasteners.

OPTIONS (Check/specify appropriate options)

PIPE SIZE

2,3,4,5,6,8 [51,76,102,127,152,203]
2,3,4,5,6,8 [51,76,102,127,152,203]
2,3,4,5,6,8 [51,76,102,127,152,203]
2,3,4 [51,76,102]

(Specify size/type) OUTLET

_____ IC Inside Caulk
_____ IP Threaded
_____ NH No-Hub
_____ NL Neo-Loc

E BODY HT. DIM.

5-1/4 [133]
3-3/4 [95]
5-1/4 [133]
4-5/8 [117]

PREFIXES

_____ Z D.C.C.I. Body with Poly-Dome*
_____ ZA D.C.C.I. Body with Aluminum Dome
_____ ZC D.C.C.I. Body with Cast Iron Dome
_____ ZRB D.C.C.I. Body with Plain Bronze Dome

SUFFIXES

_____ -AR Acid Resistant Epoxy Coated Finish	_____ -SC Secondary Clamping Collar
_____ -BS Bronze Mesh Screen Over Dome	_____ -SS Stainless Steel Mesh Screen Over Dome
_____ -DE Deck Extension	_____ -TC Neo-Loc Test Cap Gasket (2-4 [51-102] NL Bottom Outlet Only)
_____ -DR Top-Set® Drain Riser	_____ -VP Vandal Proof Secured Top
_____ -E Static Extension 1 thru 4 [25 thru 102] (Specify Ht.)	_____ -W3 3 [76] Internal Water Dam
_____ -EA Adjustable Extension Assembly 2-1/8 thru 3-1/2 [54 thru 89]	_____ -W4 4 [102] Internal Water Dam
_____ -G Galvanized Cast Iron	_____ -XJ Vertical Expansion Joint (See Z190)
_____ -GD Galvanized Cast Iron Dome	_____ -84 Stainless Steel Perforated Gravel Guard
_____ -HD 6-3/4 [171] High Aluminum Dome Strainer (148 in ² [955 cm ²] Open Area)(ZA Only)	_____ -85 Stainless Steel Perforated Extension
	_____ -89 2 [51] High External Water Dam (Replaces Internal Dam)

* Regularly furnished unless otherwise specified.