



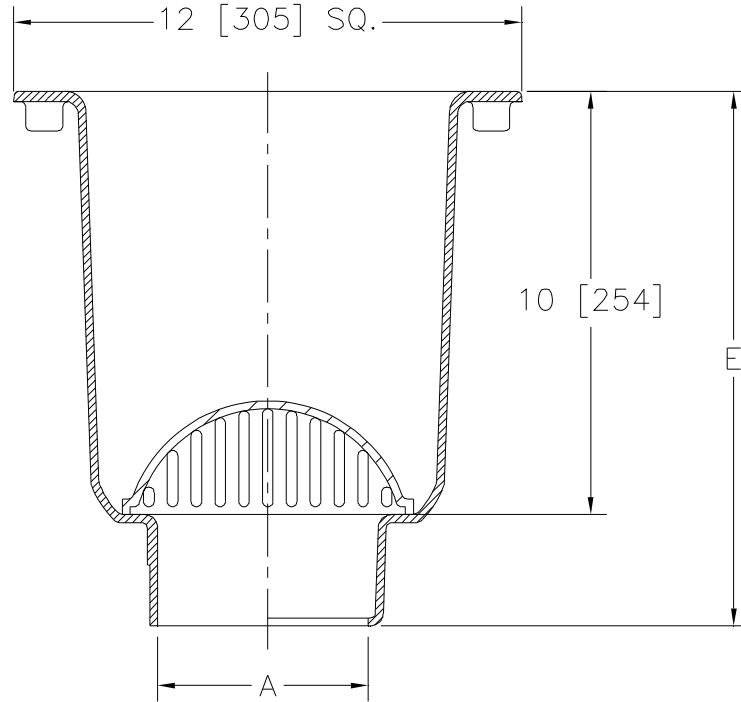
Z1902-1

12 X 12 [305 X 305] A.R.E. SANI-FLOR RECEPTOR
W/ 10 [254] SUMP DEPTH, LESS GRATE

SPECIFICATION SHEET

TAG _____

Dimensional Data (inches and [mm]) are Subject to Manufacturing Tolerances and Change Without Notice



A - Pipe Size In. [mm]	Approx Wt. Lbs.[kg]
2, 3, 4 [51, 76, 102]	36 [13]

ENGINEERING SPECIFICATION: ZURN Z1902-1

Sani-Flor Receptor 12" x 12" x 10" [305mm x 305mm x 254mm] deep cast iron body less grate, with white acid resisting porcelain enamel interior and top, and black ground enamel exterior coating, complete with ABS anti-splash interior bottom dome strainer.

OPTIONS (Check/specify appropriate options)

PIPE SIZE

- 3, 4 [76, 102]
- 2, 3, 4 [51, 76, 102]
- 2, 3, 4 [51, 76, 102]

(Specify size/type) OUTLET

- ___ IC Inside Caulk
- ___ NH No-Hub
- ___ NL Neo-Loc

'E' BODY HT. DIMENSION

Z	ZN / ZS
12-5/8 [321]	13-1/8 [333]
12-5/8 [321]	13-1/8 [333]
12 [305]	12-1/2 [318]

PREFIXES

- ___ Z Cast Iron Body w/ White A.R.E. Interior*
- ___ ZN Cast Iron Body w/ White A.R.E. Interior, 12-1/2 [318] Square Nickel Bronze Frame
- ___ ZS Cast Iron Body w/ White A.R.E. Interior, 12-1/2 [318] Square Stainless Steel Frame

SUFFIXES

- | | |
|--|---|
| ___ -DX Dex-O-Tex Flange (ZN Only) | ___ -VPS Vandal-Proof Strainer |
| ___ -K Anchor Flange | ___ -23 Aluminum Bucket |
| ___ -KC Anchor Flange w/ Seepage Holes and
Clamp Collar | ___ -25 White A.R.C. Bucket |
| ___ -LD (Less) Bottom Dome Strainer | ___ -31 Stainless Steel Mesh Liner for Bucket |
| ___ -P 1/2 [13] Trap Primer Connection (See Z1023) | ___ -32 Aluminum Dome Strainer |
| ___ -SA Stabilizer Assembly (See Z1903) | ___ -33 White A.R.C. Anti-Splash Bottom Dome Strainer |
| ___ -TC Neo-Loc Test Cap Gasket
(2, 3, 4 [51, 76, 102] NL Bottom Outlet Only) | |

* Regularly furnished unless otherwise specified.