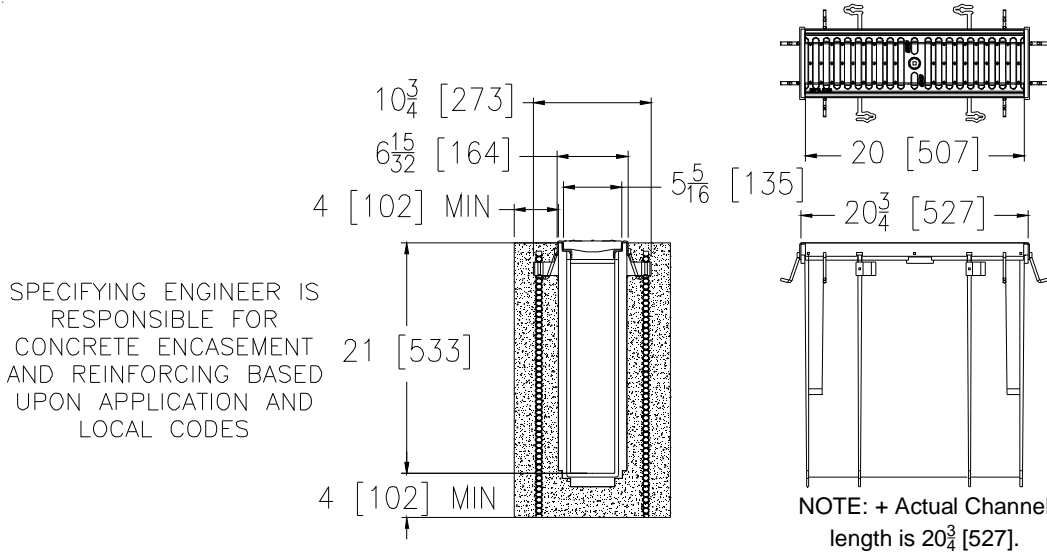




Z887-6-HD

6-7/16 [164] WIDE REVEAL BY 20 [508] LONG CATCH BASIN WITH HEAVY-DUTY FRAME ASSEMBLY

Dimensional Data (inches and [mm]) are Subject to Manufacturing Tolerances and Change Without Notice



ENGINEERING SPECIFICATION: Zurn Z887-6-HD

Catch Basin is 6-7/16 wide reveal x 20 [508] long and 20 [508] deep. The body is made of 0% water absorbent High Density Polyethylene (HDPE). Shall mechanically lock into the concrete surround a minimum of every 10 [254]. Catch basin weighs less than 17 bs. [7.7kg] per linear foot. Catch basin has rebar clips standard to secure basin in its final location. Basin provided with standard DGC grates that lock down with lockdown bars to the channel. Zurn 6 [152] wide reveal Ductile Iron Slotted Grate conforming to ASTM specification A536-84, Grade 80-55-06. Ductile Iron grate is rated class C per the DIN EN1433 top load classifications. Supplied in 20 [508] nominal lengths with 1/2 [13] wide slots, and 3/4 [19] bearing depth. Grate has an open area of 28.1 sq. in per ft. [59,463 sq. mm per meter]. The .105 [2.66] thick Heavy-Duty Carbon Steel Frame Assembly conforms to ASTM specification A36 with 4 - 4 [102] long concrete anchors per basin. Frame supplied with powder coated finish. All welds must be performed by a certified welder per ASTM standard AWS D1.1. Frames produced in the U.S.A.

PREFIX OPTIONS (Check/specify appropriate options)

___ Z 6-inch by 20-inch High Density Polyethylene (HDPE)*

SUFFIX OPTIONS (Check/specify appropriate options)

Outlet Adapters Add/Each

___ -E3 3 [76] No-Hub End Outlet ___ -U3 3 [76] No-Hub Bottom Outlet
 ___ -E4 4 [102] No-Hub End Outlet ___ -U4 4 [102] No-Hub Bottom Outlet
 ___ -E6 6 [152] No-Hub End Outlet ___ -U6 6 [152] No-Hub Bottom Outlet

Frame Options

___ -CBF Black Acid Resistant Coated Top Frame
 ___ -CWF White Acid Resistant Coated Top Frame

Grate Options (Load Classifications are per DIN EN1433)

___ -BDC Black Acid Resistant Epoxy Coated Ductile Grate - Class C
 ___ -BDE Black Acid Resistant Epoxy Coated Ductile Grate - Class E
 ___ -BG Galvanized Ductile Iron Bar Grate - Class C
 ___ -DBG Ductile Iron Cast Bar Grate - Class C
 ___ -DC Ductile Iron Solid Cover - Class C
 ___ -DGC Ductile Iron Slotted Grate - Class C *
 ___ -DGE Ductile Iron Slotted Grate - Class E
 ___ -GDC Galvanized Ductile Slotted Grate - Class C
 ___ -GDE Slotted Grate, Galvanized Ductile Iron - Class E
 ___ -GHPDE Heel-Proof Slotted Grate, Galvanized Ductile Iron - Class E
 ___ -HPDE Heel-Proof Slotted Grate, Ductile Iron - Class E
 ___ -RFGC Reinforced Slotted Galvanized Grate - Class C
 ___ -RFSC Reinforced Slotted Stainless Steel Grate - Class C
 ___ -RPGC Reinforced Perforated Galvanized Grate - Class C
 ___ -RPGRC Reinforced Perforated Galvanized Reverse Punch Grate - Class C
 ___ -RPSC Reinforced Perforated Stainless Steel Grate - Class C
 ___ -RPSRC Reinforced Perforated Stainless Steel Reverse Punch Grate - Class C

Decorative Grate Options (Load Classifications are per DIN EN1433)

___ -SBG Stainless Bar Grate - Class E

Miscellaneous Options

___ -IA Inlet Adapter - Z886

MADE in the U.S.A. (Load Classifications are per DIN EN1433)

___ -BDE-USA Black Acid Resistant Epoxy Coated Ductile Grate - Class E
 ___ -DCE-USA Solid Cover, Dura-Coated Ductile Iron - Class E
 ___ -DGC-USA Ductile Iron Slotted Grate - Class C
 ___ -DGE-USA Ductile Iron Slotted Grate - Class E
 ___ -GDC-USA Galvanized Ductile Slotted Grate - Class C
 ___ -GDE-USA Galvanized Ductile Slotted Grate - Class E
 ___ -PPC Plastic Perforated Grate - Class C

Miscellaneous Options

___ -DB Bottom Dome Strainer
 ___ -VP Vandal-Proof Lockdown
 ___ -Y Sediment Bucket

* Regularly furnished unless otherwise specified.

Zurn Industries, LLC | Specification Drainage Operation

1801 Pittsburgh Avenue, Erie, PA U.S.A. 16502 · Ph. 855-663-9876, Fax 814-454-7929

In Canada | Zurn Industries Limited

3544 Nashua Drive, Mississauga, Ontario L4V 1L2 · Ph. 905-405-8272, Fax 905-405-1292

www.zurn.com

Rev. D

Date: 12/11/15

C.N. No. 133648

Prod. | Dwg. No. Z887-6-HD