



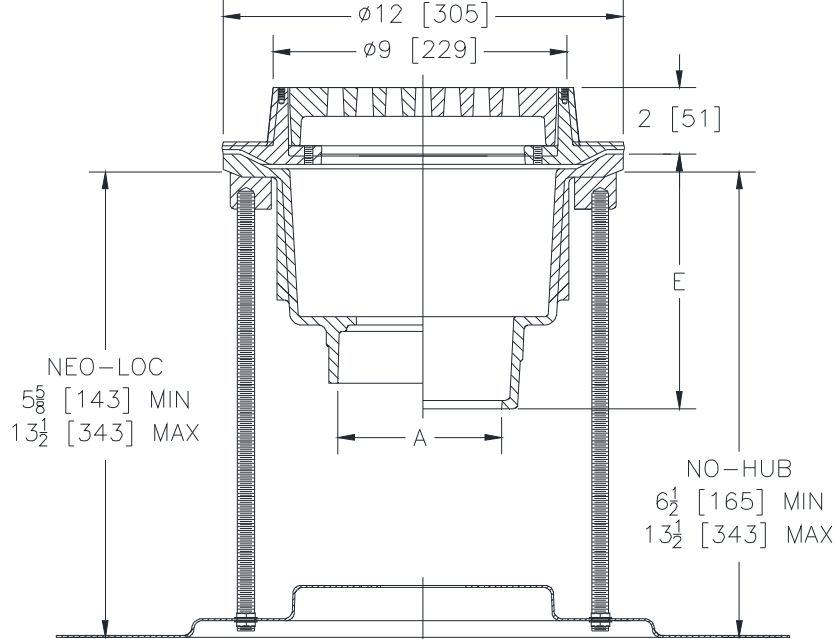
Z511-91

Ø9 [229] HEAVY-DUTY DRAIN W/ Z1036-Q STABILIZER ASSEMBLY

SPECIFICATION SHEET

TAG _____

Dimensional Data (inches and [mm]) are Subject to Manufacturing Tolerances and Change Without Notice



A Pipe Size In. [mm]	Approx. Wt. Lbs. [kg]	Grate Open Area Sq. In. [cm ²]
2,3,4 [51,76,102]	40 [18]	18 [116]

ENGINEERING SPECIFICATION: ZURN Z511-91

9" [229mm] Diameter top drain, Dura-Coated cast iron deep sump body with bottom outlet, seepage pan and combination membrane flashing clamp and frame for heavy-duty cast iron deep flange grate. Complete w/ Z1036-Q stabilizer assembly.

OPTIONS (Check/specify appropriate options)

PIPE SIZE

2,3,4 [51,76,102]
2,3,4 [51,76,102]
2,3,4 [51,76,102]
3,4 [76,102]

(Specify size/type) OUTLET

___ IC Inside Caulk
___ IG Inside Gasket
___ NL Neo-Loc
___ IP Threaded

'E' BODY HT. DIM.

7-5/8 [194]
7-5/8 [194]
6-7/8 [175]
7-5/8 [194]

PREFIXES

___ Z D.C.C.I. Body and Top*
___ ZB D.C.C.I. Body w/ Polished Bronze Top (Add 3/16 [5] to 2 [51] and 3/4 [19] to 9 [229] dim.)
___ ZN D.C.C.I. Body w/ Polished Nickel Bronze Top (Add 3/16 [5] to 2 [51] and 3/4 [19] to 9 [229] dim.)

SUFFIXES

___ -AR Acid Resisting Epoxy Coated Cast Iron	___ -TC Neo-Loc Test Cap Gasket (2 [51]-4 [102] NL Bottom Outlet Only)
___ -BT Bell Trap	___ -TS Top Secured with Slotted Screws
___ -DG Duresist Grate	___ -V Backwater Valve (For 3 & 4 [76-102] IC & IP or 3" IG Connections only)
___ -F Extension Frame (Specify Total Height Req'd.)	___ -VP Vandal-Proof Secured Top
___ -G Galvanized Cast Iron	___ -W Winter Closure Plug (For 3 & 4 [76-102] IC & IP or 3" IG Connections only)
___ -HP Heel-Proof Grate	___ -Y Sediment Bucket
___ -J Auxiliary Inlet Connection (Specify 1-1/2 [38] or 2 [51] IP, Number & Location)	
___ -P Trap Primer Connection	
___ -S Secondary Strainer	
___ -SC Solid Cover w/ Lift Handle	
___ -SG Solid Gasketed Cover	

* Regularly furnished unless otherwise specified.