



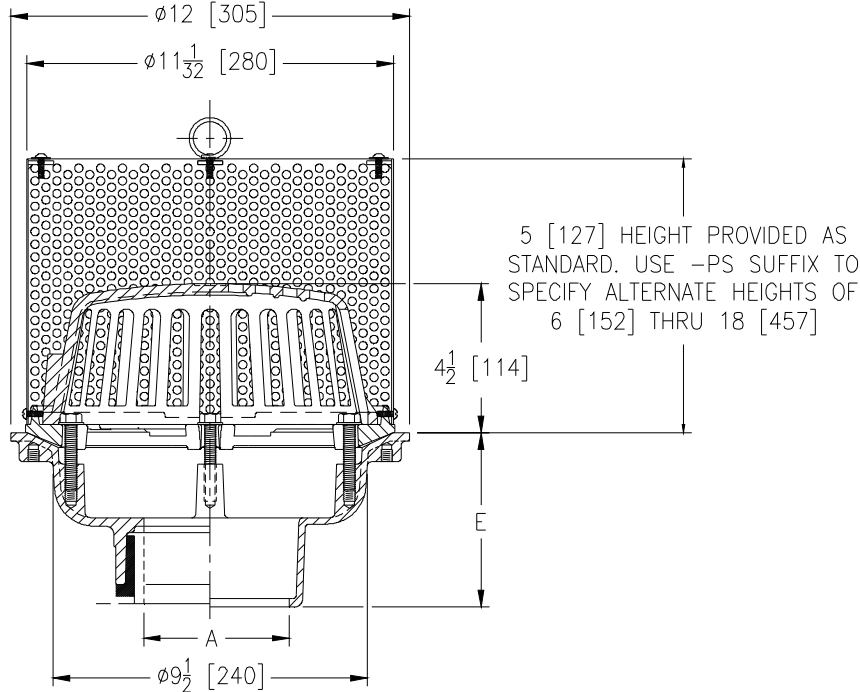
Z121-122

Ø12 [305] MAIN GREEN ROOF DRAIN W/ PERFORATED SCREEN ASS'Y, & REMOVABLE COVER W/ LIFT HANDLE

SPECIFICATION SHEET

TAG _____

Dimensional Data (inches and [mm]) are Subject to Manufacturing Tolerances and Change Without Notice



A Pipe Size in In. [mm]	Approx. Wt. Lbs. [kg]	Dome Open Area Sq. In. [cm ²]
2,3,4,5,6 [51,76,102,127,152]	22 [10]	78 [503]

ENGINEERING SPECIFICATION: ZURN Z121-122

Ø12 [305] Green Roof Drain. Dura-Coated cast iron body with combination membrane flashing clamp/gravel guard and low silhouette Poly-Dome. Complete with secured type 304 (CF8) stainless steel perforated screen assembly with secured removable access cover with lift handle.

OPTIONS (Check/specify appropriate options)

PIPE SIZE

- 2,3,4,5,6 [51,76,102,127,152]
- 2,3,4,5,6 [51,76,102,127,152]
- 2,3,4,5,6 [51,76,102,127,152]
- 2,3,4 [51,76,102]

(Specify size/type) **OUTLET**

- _____ IC Inside Caulk
- _____ P Threaded
- _____ NH No-Hub
- _____ NL Neo-Loc

E BODY HT. DIM.

- 5-1/4 [133]
- 3-3/4 [95]
- 5-1/4 [133]
- 4-5/8 [118]

PREFIXES

- _____ Z D.C.C.I. Body with Poly-Dome (4-1/4 [108] Dome Height)*
- _____ ZA D.C.C.I. Body with Aluminum Dome (6-9/16 [167] Dome Height)
- _____ ZC D.C.C.I. Body with Cast Iron Dome
- _____ ZRB D.C.C.I. Body with Plain Bronze Dome (3-7/8 [98] Dome Height)

SUFFIXES

- | | |
|---|---|
| _____ -AR Acid Resistant Epoxy Coated | _____ -PS Perforated Screen 6 [152] thru 18 [457] (Specify Height Required) |
| _____ -C Underdeck Clamp | _____ -R Roof Sump Receiver |
| _____ -DB Deep Sump Body (IC Only) | _____ -SC Secondary Clamp Collar |
| _____ -DP Top-Set® Deck Plate (Replaces both the -C and -R) | _____ -TC Neo-Loc Test Cap Gasket (2 - 4 [51 - 102] NL Bottom Outlet Only) |
| _____ -DR Top-Set® Drain Riser | _____ -VP Vandal-Proof Secured Screen Cover |
| _____ -E Static Extension 1 [25] thru 4 [102] (Specify Ht.) | _____ -85 Stainless Steel Perforated Extension |
| _____ -EB Top-Set® Adjustable Extension Assembly | _____ -90 90° Threaded Side Outlet Body (2-4 [51-102]) (Previously Z124) |
| _____ -FG Flush Grate (Replaces Dome Strainer) | |
| _____ -G Galvanized Cast Iron | |
| _____ -GD Galvanized Cast Iron Dome (ZC Only) | |

* Regularly furnished unless otherwise specified.