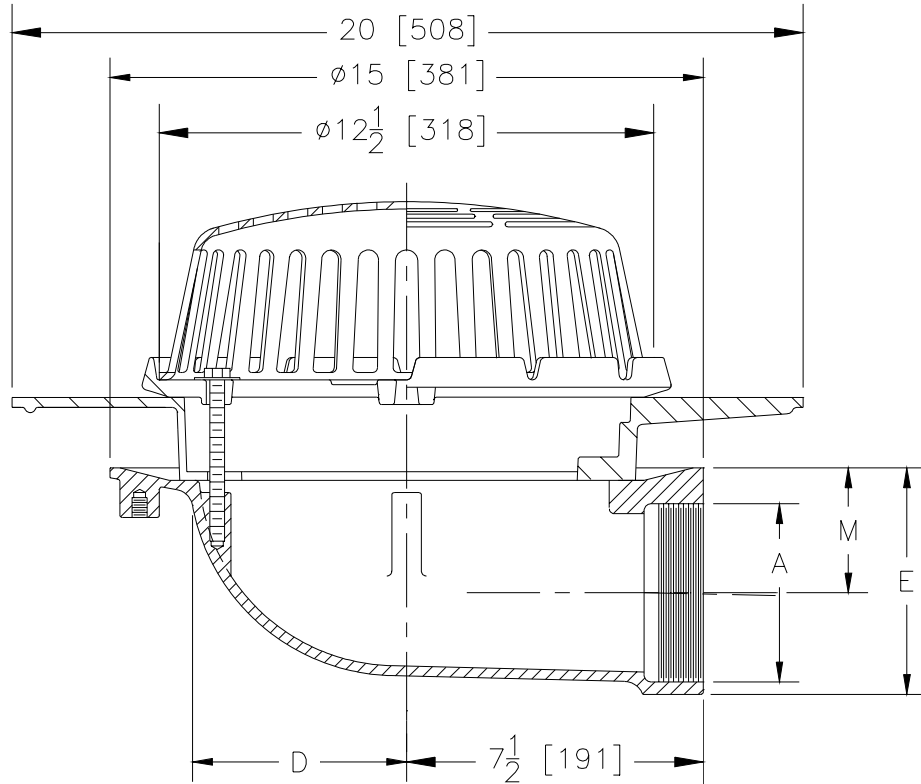




Z-100-133
15"[381] DIAMETER LATERAL
ROOF DRAIN

TAG _____

Dimensional Data (inches and [mm]) are Subject to Manufacturing Tolerances and Change Without Notice



Dimensions In Inches			Approx. Wt. Lbs.[kg]	Dome Open Area Sq. In.[cm ²]
A Pipe Size	D	M		
2[50]	5 1/2 [140]	4 1/4[108]	30[13]	103[665]
3[75]		3 11/16[94]	31[14]	
4[100]	3 3/16[81]	32[14]		
5[125]	5 7/8	4 13/16[122]	34[15]	
6[152]	[149]	4 1/4[108]	35[16]	

ENGINEERING SPECIFICATION: ZURN Z-100-133 15[381] Diameter lateral roof drain. Dura-Coated cast iron body, clamping collar with integral gravel guard, combination membrane flashing clamp and latex troweling flange and low silhouette Poly-Dome strainer.

OPTIONS (Check/specify appropriate options)

PREFIXES

- ___ **Z-** D.C.C.I. Body with Poly-Dome*
- ___ **ZA-** D.C.C.I. Body with Aluminum Dome
- ___ **ZC-** D.C.C.I. Body with Cast Iron Dome
- ___ **ZRB-** D.C.C.I. Body with Plain Bronze Dome

PIPE SIZE

- 2, 3, 4 [50, 75, 100]
- 5, 6 [125, 150]

(Specify size/type) **OUTLET**

- ___ IP Threaded
- ___ IP Threaded

E BODY HT. DIM.

- 5 3/4 [146]
- 7 7/8 [200]

SUFFIXES

- ___ **-AC** Angular Underdeck Clamp
- ___ **-AW** 3/4" to 4" Adjustable Water Level Regulator (Previously Z-103-1)
- ___ **-BS** Bronze Mesh Screen Over Dome
- ___ **-C** Underdeck Clamp
- ___ **-E** Static Extension 1" thru 4" (Specify Height)
- ___ **-EA** Adjustable Extension Assembly 1-3/4" thru 3-1/2"
- ___ **-G** Galvanized Cast Iron
- ___ **-GD** Galvanized Cast Iron Dome
- ___ **-R** Roof Sump Receiver
- ___ **-S** Secondary Clamp Collar
- ___ **-SS** Stainless Mesh Screen Over Dome
- ___ **-VP** Vandal Proof Secured Dome
- ___ **-W2** 2" Internal Water Dam
- ___ **-W3** 3" Internal Water Dam
- ___ **-W4** 4" Internal Water Dam
- ___ **-84** Stainless Steel Perforated Gravel Guard
- ___ **-85** Stainless Steel Perforated Extension
- ___ **-89** 2" High External Water Dam

*REGULARLY FURNISHED UNLESS OTHERWISE SPECIFIED

REV.	DATE: 9/16/96	C.N. NO. 75767
DWG NO. P-14377	PRODUCT NO. Z-100-133	