

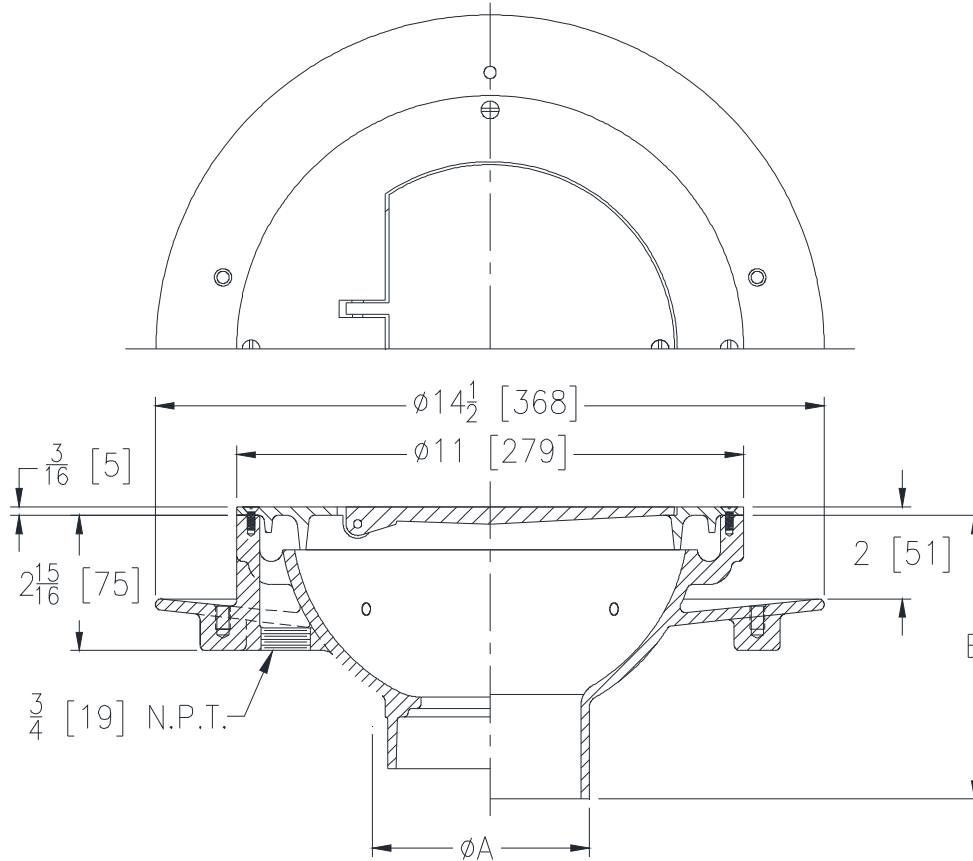


Z310-ST
**THOROFLUSH DRAIN W/
 SOLID HINGED TOP**

SPECIFICATION SHEET

TAG _____

Dimensional Data (inches and [mm]) are Subject to Manufacturing Tolerances and Change Without Notice



A Pipe Size in. [mm]	Approx. Wt. Lbs. [kg]
2, 3, 4 [51, 76, 102]	20 [9]

ENGINEERING SPECIFICATION: ZURN ZN310-ST

11" [279mm] Top Thoroflush drain, cast iron body with white acid resistant epoxy coated exterior and interior, bottom outlet with seepage pan, nickel bronze flushing rim top with solid hinged top.

OPTIONS (Check/specify appropriate options)

PIPE SIZE

2, 3, 4 [51, 76, 102]
 2, 3, 4 [51, 76, 102]

(Specify size/type) **OUTLET**

___ IP Threaded
 ___ NL Neo-Loc

'E' BODY HT. DIM.

5-1/2 [140]
 4-5/8 [117]

PREFIXES

___ ZB Cast Iron Body w/ A.R.C. Interior and Exterior w/ Polished Bronze Top
 ___ ZN Cast Iron Body w/ A.R.C. Interior and Exterior w/ Polished Nickel Bronze Top*

SUFFIXES

___ -C Clamping Collar
 ___ -TC Neo-Loc Test Cap Gasket (2, 3, 4 [51, 76, 102] NL Bottom Outlet Only)
 ___ -VP Vandal-Proof Screws In Frame
 ___ -WB Water Supply Control Box (See Z1464)

* Regularly furnished unless otherwise specified.