



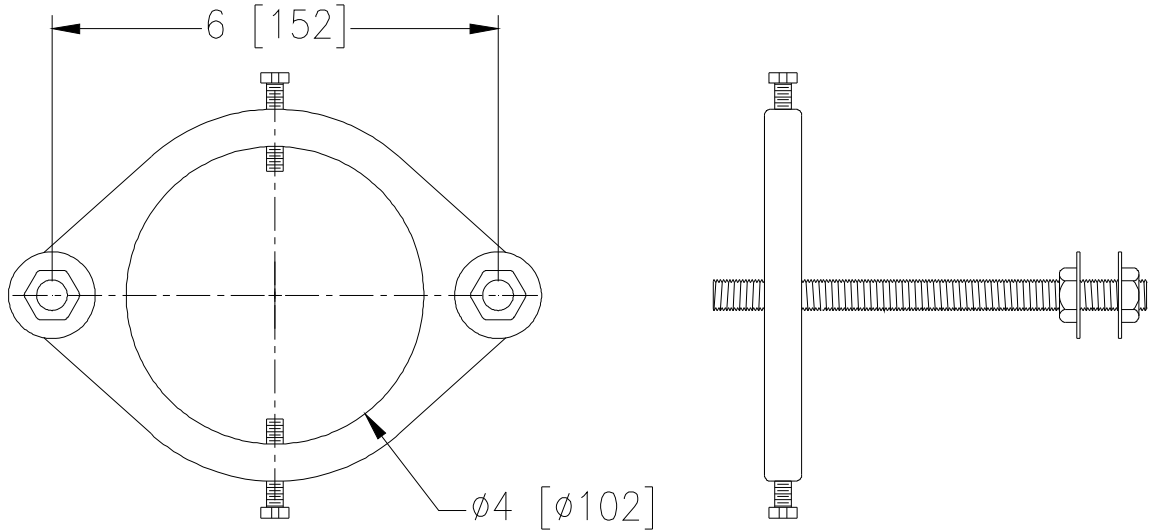
Z1210-F

ADAPTER FLANGE ASSEMBLY FOR FLOOR MOUNTED, BACK OUTLET WATER CLOSETS

SPECIFICATION SHEET

TAG _____

Dimensional Data (inches and [mm]) are Subject to Manufacturing Tolerances and Change Without Notice



* SET SCREWS ADJUSTABLE FOR 3 [76] PIPE

ENGINEERING SPECIFICATION: ZURN Z1210-F Cast Iron adapter flange with set screws, fixture bolts and trim for floor mounted, back outlet water closets.

REV. A DATE: 11/19/10 C.N. NO. 120487

DWG. NO. 57271 PRODUCT NO. Z1210-F

ZURN INDUSTRIES, LLC ♦ SPECIFICATION DRAINAGE OPERATION ♦ 1801 Pittsburgh Ave. ♦ Erie, PA 16514

Phone: 814/455-0921 ♦ Fax: 814/454-7929 ♦ World Wide Web: www.zurn.com

In Canada: ZURN INDUSTRIES LIMITED ♦ 3544 Nashua Drive ♦ Mississauga, Ontario L4V1L2 ♦ Phone: 905/405-8272 Fax: 905/405-1292