



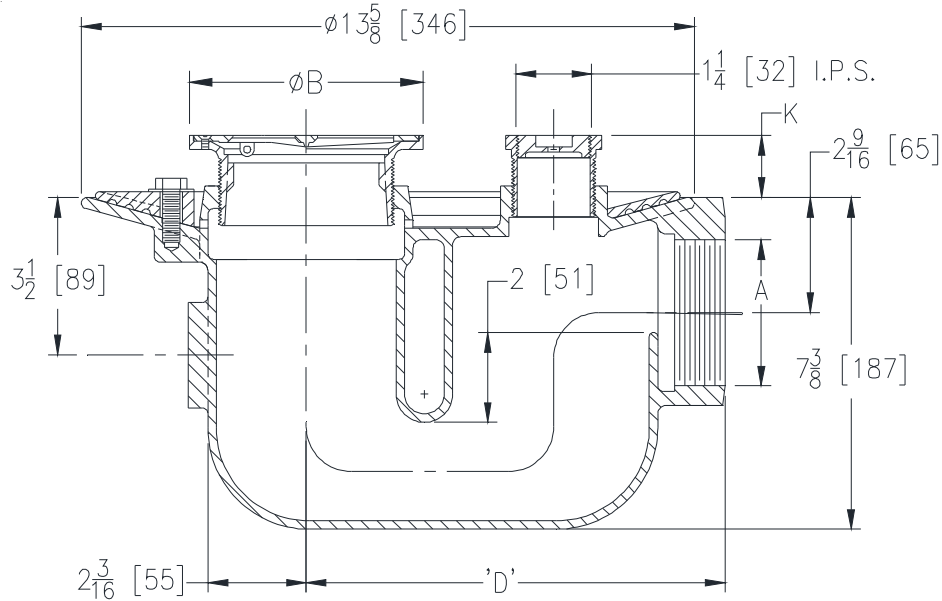
# Z455C-C

TRAP DRAIN W/ "TYPE C" STRAINER,  
FLOOR CLEANOUT, & CLAMP COLLAR

SPECIFICATION SHEET

TAG \_\_\_\_\_

Dimensional Data (inches and [ mm ]) are Subject to Manufacturing Tolerances and Change Without Notice



Dimensions In Inches [mm]				Approx. Wt. Lbs. [kg]	Strainer Open Area Sq. In. [cm <sup>2</sup> ]
A Pipe Size	B Strainer Dia.	K			
		Min.	Max.		
2, 3, 4 [51, 76, 102]	5 [127]	7/8 [22]	2 [51]	37 [17]	8 [52]
2, 3, 4 [51, 76, 102]	6 [152]	1-1/8 [29]	2-1/4 [57]	39 [18]	9 [58]
2, 3, 4 [51, 76, 102]	7 [178]	1-1/2 [38]	2-5/8 [67]	41 [19]	12 [77]
2, 3, 4 [51, 76, 102]	8 [203]	1-1/2 [38]	2-5/8 [67]	43 [20]	18 [116]

**ENGINEERING SPECIFICATION: ZURN ZN455C-C**

Floor and shower trap drain, Dura-Coated cast iron body with integral trap, side outlet, seepage pan, clamp collar, floor level cleanout and adjustable "TYPE C" polished, nickel bronze hinged strainer.

**OPTIONS** (Check/specify appropriate options)

**PIPE SIZE**

- 2, 3 [51, 76]
- 4 [102]
- 2, 3, 4 [51, 76, 102]

(Specify size/type) **OUTLET**

- \_\_\_\_\_ IP Threaded
- \_\_\_\_\_ IP Threaded
- \_\_\_\_\_ NH No-Hub

**'D'**

- 9-1/16 [230]
- 9-5/16 [237]
- 11-3/4 [298]

**PREFIXES**

- \_\_\_\_\_ ZN D.C.C.I. Body Assembly w/Polished Nickel Bronze Top\*

**SUFFIXES**

- \_\_\_\_\_ -FC Flush Cover for Plug
- \_\_\_\_\_ -P Trap Primer Connection (Specify 1/2 [13] or 3/4 [19])
- \_\_\_\_\_ -PC Protective Cover
- \_\_\_\_\_ -V Backwater Valve (Ball Float Type)
- \_\_\_\_\_ -VP Vandal-Proof Secured Top
- \_\_\_\_\_ -Y Sediment Bucket

\* Regularly furnished unless otherwise specified.