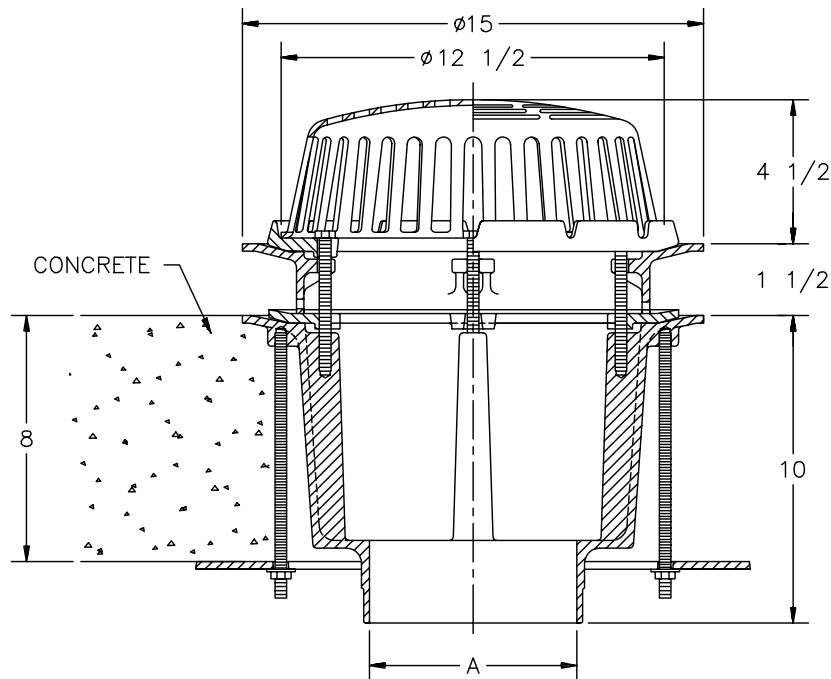




Z-104-78
15" DIAMETER DEEP SUMP ROOF
DRAIN WITH LOW SILHOUETTE DOME

TAG _____

Dimensional Data (inches and [mm]) are Subject to Manufacturing Tolerances and Change Without Notice



A- Pipe Size In.	Approx. Wt. Lbs.	Dome Open Area Sq. In
3-4	46	103
6-8		

ENGINEERING SPECIFICATION: ZURN Z-104-78 15" Diameter roof drain. Dura-Coated cast iron deep sump body with combination membrane flashing clamp/gravel guard, static extension, underdeck clamp and low silhouette cast iron dome.

OPTIONS (Check/specify appropriate options)

PIPE SIZE (Specify size) **OUTLET** **'E' BODY HT. DIM.**
 3,4,6,8 _____ NH No-Hub 10

PREFIXES

- _____ Z- D.C.C.I. Body with Poly-Dome
- _____ ZA- D.C.C.I. Body with Aluminum Dome
- _____ ZC- D.C.C.I. Body with Cast Iron Dome*
- _____ ZRB- D.C.C.I. Body with Plain Bronze Dome

SUFFIXES

- | | | | |
|-----------|---|-----------|---|
| _____ -AC | Angular Underdeck Clamp | _____ -W2 | 2 Internal Water Dam |
| _____ -AW | 3/4 to 4 Adjustable Water Level Regulator | _____ -W3 | 3 Internal Water Dam |
| _____ -BS | Bronze Mesh Screen Over Dome | _____ -W4 | 4 Internal Water Dam |
| _____ -C | Underdeck Clamp | _____ -XJ | Vertical Expansion Joint |
| _____ -DX | Dex-o-tex Flange | _____ -84 | Stainless Steel Perforated Gravel Guard |
| _____ -EA | Adjustable Extension Assembly | _____ -85 | Stainless Steel Perforated Extension |
| _____ -G | Galvanized Cast Iron | _____ -89 | 2 High External Water Dam |
| _____ -GD | Galvanized Cast Iron Dome | _____ -90 | 90° Threaded Side Outlet Body |
| _____ -R | Rood Sump Receiver | | |
| _____ -S | Secondary Strainer | | |
| _____ -SS | Stainless Steel Mesh Screen Over Dome | | |
| _____ -VP | Vandal Proof Secured Top | | |

*REGULARLY FURNISHED UNLESS OTHERWISE SPECIFIED

REV.	DATE: 04/26/95	C.N. NO. 71683
DWG. NO. P-14168 PRODUCT NO. Z-104-78		