

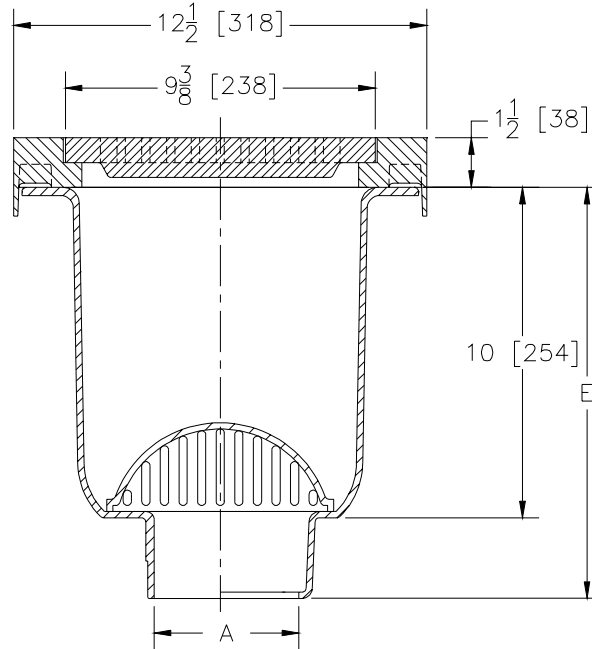


Z-1902-78
12 X 12 A.R.E. SANI-FLOR RECEPTOR
10" SUMP DEPTH WITH HEAVY DUTY FRAME
AND GRATE

SPECIFICATION SHEET

TAG _____

Dimensional Data (inches and [mm]) are Subject to Manufacturing Tolerances and Change Without Notice



A- Pipe Size In.[mm]	Approx. Wt. Lbs [kg]	Grate Open Area Sq. In. [cm ²]
2-3-4[52-76-102]	55[25]	31[200]

ENGINEERING SPECIFICATION: ZURN Z-1902-78 Sani-Flor Receptor 12" x 12" x 10"[305x305x254] Deep cast iron body with white acid resisting porcelain enamel interior and top, and heavy duty scoriated nickel bronze frame and grate, complete with aluminum anti-splash interior bottom dome strainer.

OPTIONS (Check/specify appropriate options)

OUTLET (Specify type)

- ___ **IC** Inside Caulk
- ___ **NH** No-Hub

PIPE SIZE (Specify size)

- ___ 2",3",4"[52,76,102]
- ___ 2",3",4"[52,76,102]

'E' BODY HT. DIMENSION

- | Z | ZN |
|--------------|--------------|
| 12-5/8"[321] | 13-1/8"[333] |
| 12-5/8"[321] | 13-1/8"[333] |

PREFIXES

- ___ **ZN-** Cast Iron Body with White A.R.E. Interior, 12-1/2"[318] Square N.B. Frame and Full Grate with 1/4"[6] Square Openings

SUFFIXES

- | | | | |
|----------------|--|----------------|---------------------------------------|
| ___ -K | Seepage Flange w/Seepage Holes | ___ -33 | White A.R.E. Anti-Splash Bottom |
| ___ -KC | Seepage Flange w/Seepage Holes W/Clamp Collar | ___ -34 | Dome Strainer |
| ___ -LD | (Less) Bottom Dome Strainer | | N.B. Anti-Splash Bottom Dome Strainer |
| ___ -P | 1/2"[13] Trap Primer Connection (See Z-1023) | | |
| ___ -1 | (Less) Grate | | |
| ___ -2 | 1/2 Grate | | |
| ___ -3 | 3/4 Grate | | |
| ___ -5 | Grate w/4"[102] Dia. x 3-3/4"[95] High Funnel | | |
| ___ -6 | Grate w/6"[152] Dia. x 6"[152] High Funnel | | |
| ___ -7 | Grate w/6-3/4"[171] x 3"[76] x 1"[25] High Oval Funnel | | |
| ___ -8 | Grate w/8-7/8"[225] x 3-5/8"[92] x 3-3/4"[95] High Oval Funnel | | |
| ___ -23 | Aluminum Bucket | | |
| ___ -25 | White A.R.E. Bucket | | |
| ___ -31 | Stl. Steel Mesh Liner for Bucket | | |

*REGULARLY FURNISHED UNLESS OTHERWISE SPECIFIED

REV. A	DATE: 9/6/00	C.N. NO. 85848
DWG. NO. P-13916 PRODUCT NO. Z-1902-78		