



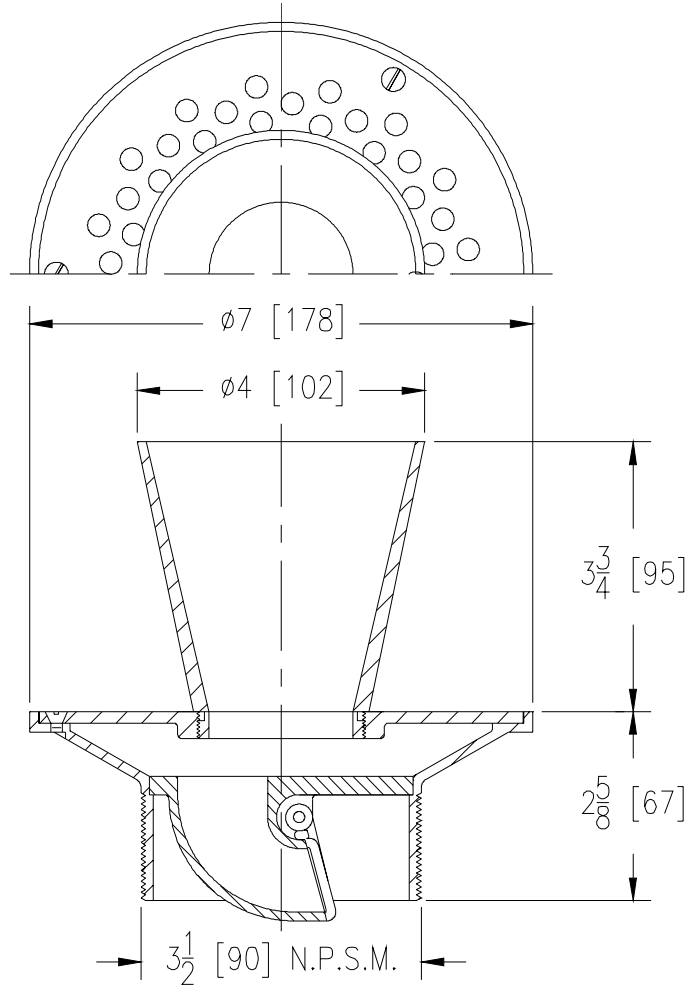
Z400E-V

SPECIFICATION SHEET

"TYPE E" ROUND STRAINER W/ INTEGRAL FUNNEL & BACKWATER VALVE

TAG _____

Dimensional Data (inches and [mm]) are Subject to Manufacturing Tolerances and Change Without Notice



Strainer Designation	Top Size Inches B	Approx. Wt. Lbs. [kg]	Open Area Sq. In. [cm ²]
-7E	7 [178]	10 [5]	5 [33]

ENGINEERING SPECIFICATION: ZURN Z() 400E-V
 "TYPE E" round adjustable strainer top with combination funnel/grate with perimeter openings, and backwater valve. (Specify ZB or ZN finish)

OPTIONS (Check/specify appropriate options)

PREFIXES

- ___ ZB Polished Bronze Top
- ___ ZN Polished Nickel Bronze Top

SUFFIXES

- ___ -VP Vandal-Proof Secured Top

REV.	DATE: 9/13/04	C.N. NO. 92539
DWG. NO. 82071	PRODUCT NO. Z400E-V	

*REGULARLY FURNISHED UNLESS OTHERWISE SPECIFIED