



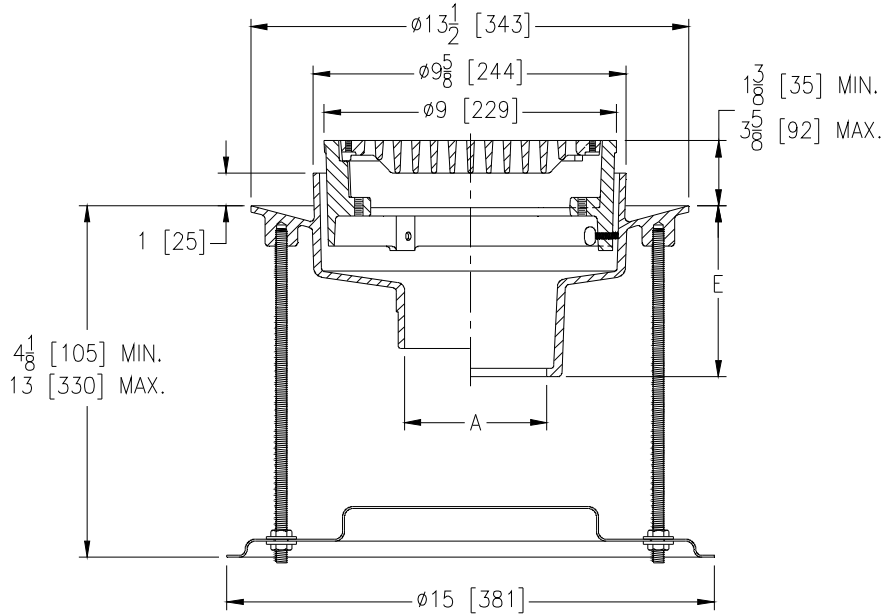
Z525-78

SPECIFICATION SHEET

9 [229] DIAMETER ADJUSTABLE MEDIUM DUTY DRAIN W/ STABILIZER PLATE

TAG _____

Dimensional Data (inches and [mm]) are Subject to Manufacturing Tolerances and Change Without Notice



A Pipe Size In.	Approx. Wt. Lbs. [kg]	Grate Open Area Sq. In. [cm ²]
2-3-4 [51-76-102]	35 [16]	18 [116]
6 [152]	35 [16]	

ENGINEERING SPECIFICATION: ZURN Z525-78

9 [229] Diameter top drain, Dura-Coated cast iron body with bottom outlet, seepage pan and adjustable extension frame with medium duty cast iron deep slotted grate. Complete with Z1036 stabilizer plate.

OPTIONS (Check/specify appropriate options)

PIPE SIZE

2 thru 4-6 [51 thru 102-152]
2 thru 4 [51 thru 102]

(Specify size/type) OUTLET

____ NH No-Hub
____ NL Neo-Loc

'E' DIM.

4 1/4 [108]
4 3/8 [111]

PREFIXES

____ Z D.C.C.I. Body and Top*
 ____ ZB D.C.C.I. Body with Polished Bronze Top (Add 3/16 [5] to 1 3/8 [35] - 3 5/8 [92] Dim. & 5/8 [16] to 9 [229] Dim.)
 ____ ZN D.C.C.I. Body with Polished Nickel Bronze Top
 (Add 3/16 [5] to 1 3/8 [35] - 3 5/8 [92] Dim. & 5/8 [16] to 9 [229] Dim.)

SUFFIXES

____ -AR	Acid Resisting Epoxy Coated Cast Iron	____ -TS	Top Secured with Slotted Screws
____ -D	Dome Grate (Z Only)	____ -VP	Vandal-Proof Secured Top
____ -DG	Duresist Grate	____ -Y	Sediment Bucket
____ -F	Extension Frame (4 5/8 [117] Min. - 6 5/8 [168] Max.)		
____ -G	Galvanized Cast Iron		
____ -H	Hinged Grate		
____ -P	Trap Primer Connection		
____ -S	Secondary Strainer		
____ -SS	Stainless Mesh Liner for Bucket		
____ -T	Square Top (9 5/8 [244])		
____ -TC	Neo-Loc Test Cap Gasket (2 [51] - 4 [102] NL Bottom Outlet Only)		

REV.	DATE: 4/15/10	C.N. NO. 111016
DWG. NO. 84599	PRODUCT NO. Z525-78	

*REGULARLY FURNISHED UNLESS OTHERWISE SPECIFIED