



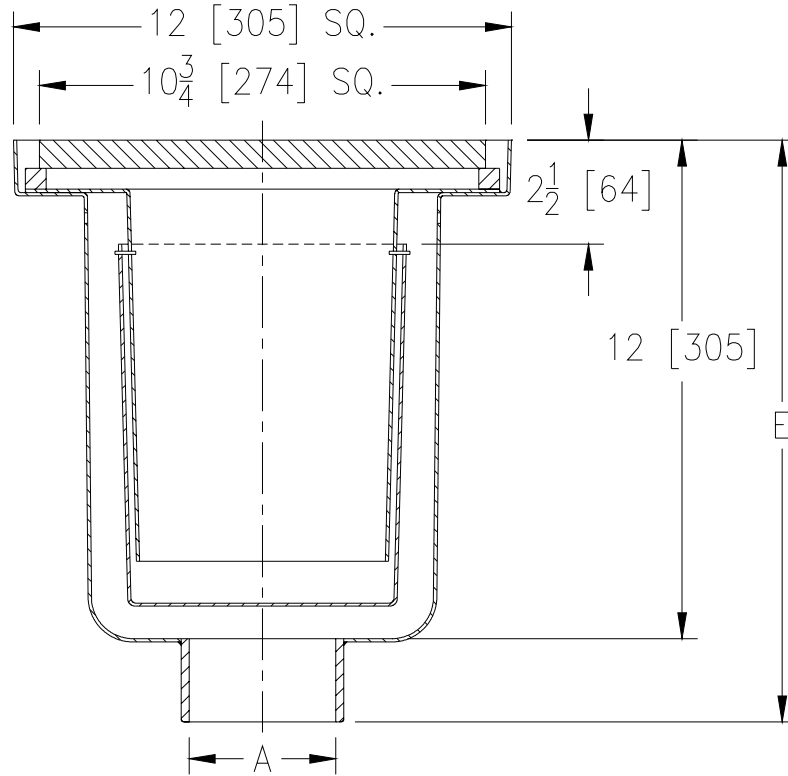
# Z1753-82

## 12 x 12 x 12 [305 x 305 x 305] DEEP SANI-FLOR RECEPTOR W/ PERIMETER DRAINAGE AND BUCKET

SPECIFICATION SHEET

TAG \_\_\_\_\_

Dimensional Data (inches and [ mm ]) are Subject to Manufacturing Tolerances and Change Without Notice



A-Pipe Size Inches	Approx Wt. Lbs [kg]
2-3-4 [51-76-102]	19 [8]

### ENGINEERING SPECIFICATIONS: ZURN Z1753-82

12 x 12 x 12 [305 x 305 x 305] deep, All Type 304 (CF8) Stainless Steel Sani-Flor receptor with non-tilt, 1/2 [13] thick solid cover with perimeter drainage, combination bell trap/sediment bucket. Wheel load rating 15,000 Lbs. Drain body must be supported by concrete pour.

### OPTIONS (Check/specify appropriate options)

#### PIPE SIZE

2-3-4 [51-76-102]  
2 [51]  
3 [76]  
4 [102]  
2-3-4 [51-76-102]  
2-3-4 [51-76-102]

#### (Specify size/type) OUTLET

\_\_\_ IC Inside Caulk  
\_\_\_ IP Threaded  
\_\_\_ IP Threaded  
\_\_\_ IP Threaded  
\_\_\_ NH No-Hub  
\_\_\_ NL Neo-Loc

#### 'E' BODY HT. DIM.

14 9/16 [370]  
13 5/16 [338]  
13 9/16 [344]  
16 1/16 [408]  
16 1/16 [408]  
13 13/16 [351]

### PREFIXES

\_\_\_ Z Type 304 (CF8) Stainless Steel\*

### SUFFIXES

\_\_\_ -K Anchor Flange  
\_\_\_ -KC Anchor Flange with Seepage Holes and Clamp Collar  
\_\_\_ -LBT (Less) Bell Trap  
\_\_\_ -LY (Less) Bucket  
\_\_\_ -P 1/2 [13] Trap Primer Connection  
\_\_\_ -SR 1/2 [13] Thick Sanitary Rim at Top of Drain Body  
\_\_\_ -TC Neo-Loc Test Cap Gasket ( 2 - 4 [51- 102] NL Bottom Outlet Only)  
\_\_\_ -1 (Less) Cover

REV. DATE: 7/28/04 C.N. NO. 92421

DWG. NO. P-15074 PRODUCT NO. Z1753-82

\*REGULARLY FURNISHED UNLESS OTHERWISE SPECIFIED

ZURN INDUSTRIES, INC. ♦ SPECIFICATION DRAINAGE OPERATION ♦ 1801 Pittsburgh Ave. ♦ Erie, PA 16514

Phone: 814/455-0921 ♦ Fax: 814/454-7929 ♦ World Wide Web: www.zurn.com

In Canada: ZURN INDUSTRIES LIMITED ♦ 3544 Nashua Drive ♦ Mississauga, Ontario L4V1L2 ♦ Phone: 905/405-8272 Fax: 905/405-1292