



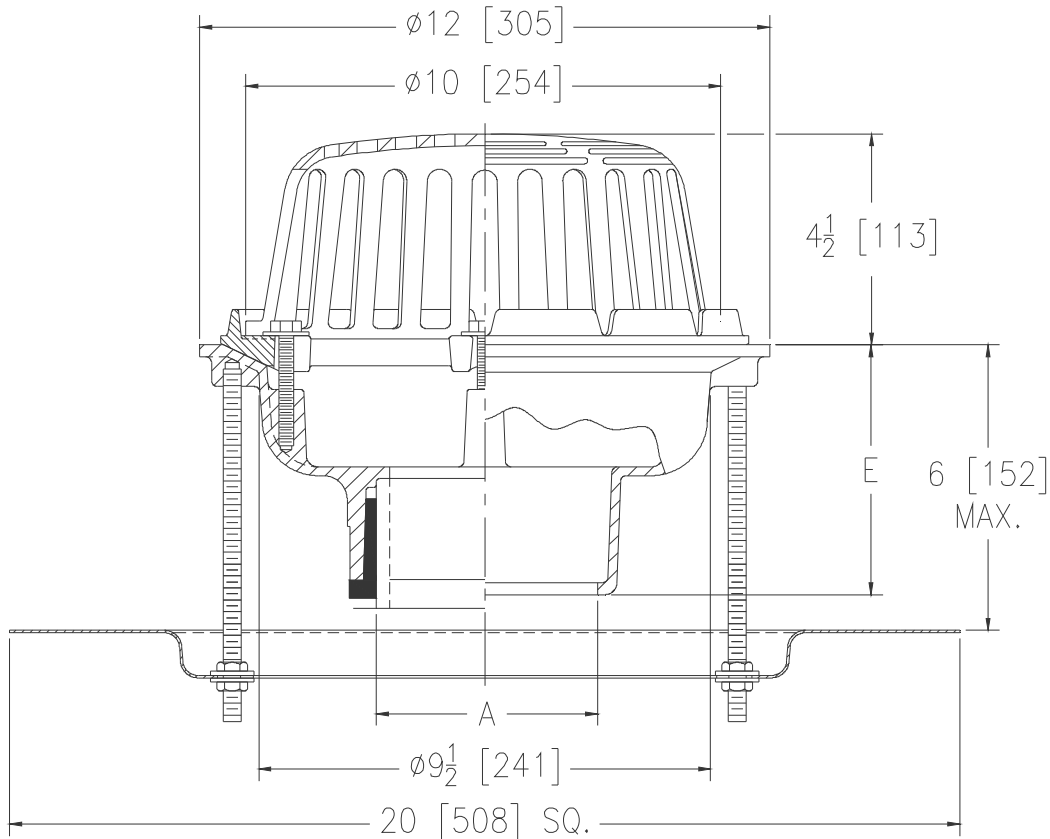
# Z121-EB

12 [305] DIAMETER ROOF DRAIN  
W/ TOP-SET® ADJUSTABLE EXTENSION ASSEMBLY

SPECIFICATION SHEET

TAG \_\_\_\_\_

Dimensional Data (inches and [ mm ]) are Subject to Manufacturing Tolerances and Change Without Notice



A Pipe Size in [mm]	Approx Wt. lbs [kg]	Dome Open Area in <sup>2</sup> [cm <sup>2</sup> ]
2,3,4,6 [51,76,102,152]	31 [14]	78 [503]

### ENGINEERING SPECIFICATION: ZURN Z121-EB

12" [305mm] Diameter roof drain. Dura-Coated cast iron body with combination membrane flashing clamp/gravel guard, Top-Set® adjustable extension assembly, and low silhouette Poly-Dome.

### OPTIONS (Check/specify appropriate options)

#### PIPE SIZE

- 2,3,4,6 [51,76,102,152]
- 2,3,4,6 [51,76,102,152]
- 2,3,4,6 [51,76,102,152]
- 2,3,4 [51,76,102]

#### (Specify size/type) OUTLET

- \_\_\_\_\_ IC Inside Caulk
- \_\_\_\_\_ IP Threaded
- \_\_\_\_\_ NH No-Hub
- \_\_\_\_\_ NL Neo-Loc

#### E BODY HT. DIM.

- 5-1/4 [133]
- 3-3/4 [95]
- 5-1/4 [133]
- 4-9/16 [116]

#### PREFIXES

- \_\_\_\_\_ Z D.C.C.I. Body with Poly-Dome (4-1/4 [108] Dome Height)\*
- \_\_\_\_\_ ZA D.C.C.I. Body with Aluminum Dome (6-9/16 [167] Dome Height)
- \_\_\_\_\_ ZC D.C.C.I. Body with Cast Iron Dome

#### SUFFIXES

- \_\_\_\_\_ -AR Acid Resistant Epoxy Coated
- \_\_\_\_\_ -E Static Extension 1 [25] thru 4 [102] (Specify Ht.)
- \_\_\_\_\_ -FG Flush Grate
- \_\_\_\_\_ -G Galvanized Cast Iron
- \_\_\_\_\_ -SC Secondary Clamping Collar
- \_\_\_\_\_ -SS Stainless Mesh Screen Over Dome
- \_\_\_\_\_ -TC Neo-Loc Test Cap Gasket (2,3,4 [51,76,102] NL Bottom Outlet Only)
- \_\_\_\_\_ -VP Vandal Proof Secured Top
- \_\_\_\_\_ -84 Stainless Steel Perforated Gravel Guard
- \_\_\_\_\_ -85 Stainless Steel Perforated Extension
- \_\_\_\_\_ -89 2 [51] High External Water Dam

\* Regularly furnished unless otherwise specified.