



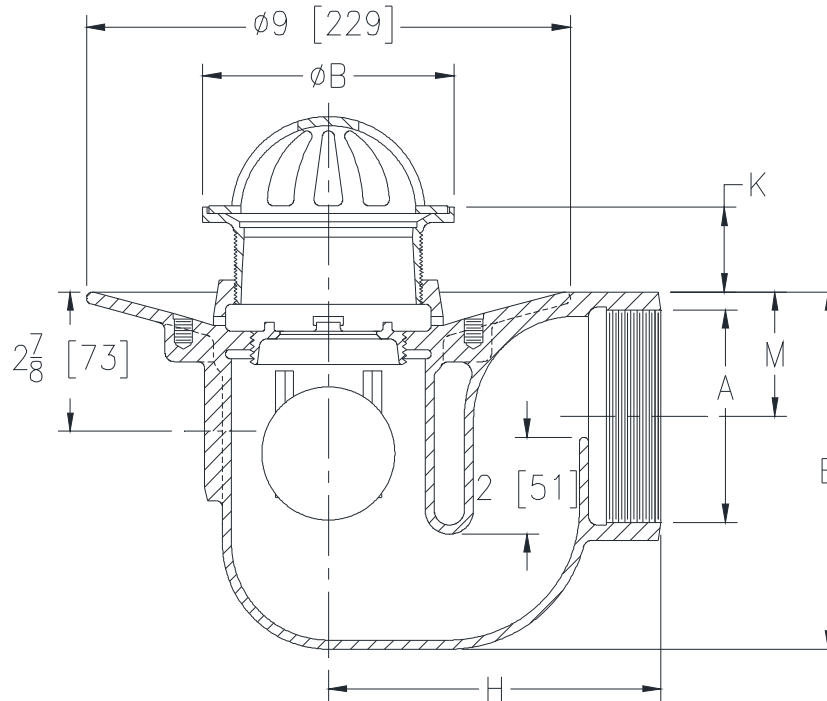
Z450G-V

DRUM TRAP DRAIN W/ "TYPE G" STRAINER & BALL
FLOAT BACKWATER VALVE

SPECIFICATION SHEET

TAG _____

Dimensional Data (inches and [mm]) are Subject to Manufacturing Tolerances and Change Without Notice



Dimensions In Inches [mm]						Approx. Wt. Lbs. [kg]	Dome Open Area Sq. In. [cm ²]
A Pipe Size	B Strainer Dia.	H	K		M		
			Min.	Max.			
2, 3 [51, 76]	5 [127]	6 [152]	1-3/16 [30]	2 [51]	1-1/2 [38]	16 [7]	15 [97]
4 [102]		6-7/8 [175]			2-1/2 [64]		
2, 3 [51, 76]	6 [152]	6 [152]	1-5/16 [33]	2-1/4 [57]	1-1/2 [38]	17 [8]	
4 [102]		6-7/8 [175]			2-1/2 [64]		

ENGINEERING SPECIFICATION: ZURN ZN450G-V

Drum trap floor and shower drain, Dura-Coated cast iron body with ball float type backwater valve, integral trap, side outlet, seepage pan and adjustable "TYPE G" polished, nickel bronze strainer with dome grate.

OPTIONS (Check/specify appropriate options)

PIPE SIZE

- 2, 3 [51, 76]
- 4 [102]
- 2, 3, 4 [51, 76, 102]

(Specify size/type) **OUTLET**

- ___ IP Threaded
- ___ IP Threaded
- ___ NH No-Hub

'E' BODY HT. DIM.

- 6-1/2 [165]
- 7-3/8 [187]
- 7-3/8 [187]

PREFIXES

- ___ ZB D.C.C.I. Body Assembly w/Polished Bronze Top
- ___ ZN D.C.C.I. Body Assembly w/Polished Nickel Bronze Top*

SUFFIXES

- ___ -C Clamping Collar
- ___ -G Galvanized Cast Iron
- ___ -P Trap Primer Connection
(Specify 1/2 [13] or 3/4 [19])
- ___ -SS Stainless Mesh Screen Over Dome
- ___ -U 1 - 3 [25 - 76] High Extension Adapter
- ___ -VP Vandal-Proof Secured Top

* Regularly furnished unless otherwise specified.