



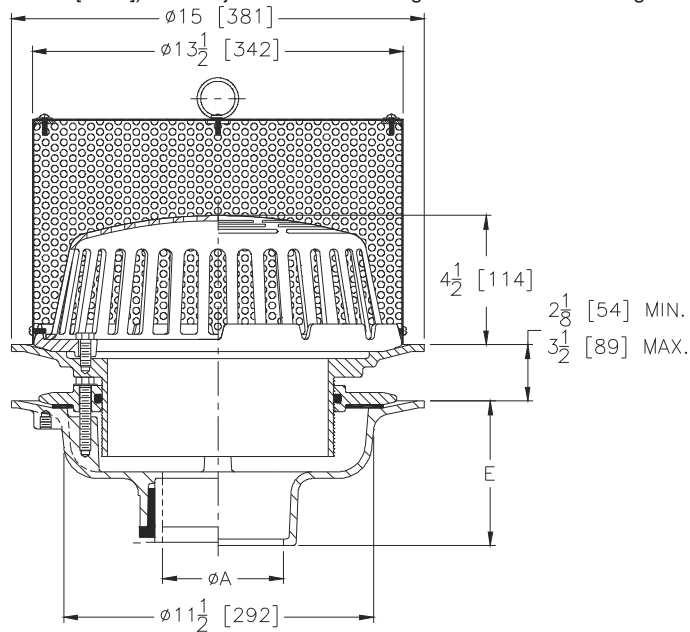
# Z110-EA

15 [381] DIAMETER MAIN GREEN ROOF DRAIN W/  
PERFORATED SCREEN ASS'Y, REMOVABLE COVER W/  
LIFT HANDLE AND ADJUSTABLE EXTENSION

SPECIFICATION SHEET

TAG \_\_\_\_\_

Dimensional Data (inches and [ mm ]) are Subject to Manufacturing Tolerances and Change Without Notice



| A<br>Pipe Size<br>In [mm] | Approx<br>Wt.<br>Lbs [kg] | Dome Open<br>Area<br>In <sup>2</sup> [cm <sup>2</sup> ] |
|---------------------------|---------------------------|---|
| 2,3,4 [51,76,102]         | 28 [13]                   | 103 [665]   |
| 6 [152]                   | 29 [13]                   |   |
| 8 [203]                   | 30 [14]                   |   |

### ENGINEERING SPECIFICATION: ZURN Z110-EA

15" [381mm] Diameter green roof drain. Dura-Coated cast iron body with combination membrane flashing clamp/gravel guard adjustable extension, secondary clamping collar with o-ring and low silhouette Poly-Dome strainer. Complete with secured Type 304 Stainless Steel perforated screen assembly with secured removable access cover with lift handle.

### OPTIONS (Check/specify appropriate options)

#### PIPE SIZE

3,4,6 [76,102,152]  
2,3,4,6, 8 [51,76,102,152,203]  
2,3,4,6, 8 [51,76,102,152,203]  
2,3,4 [51,76,102]  
6 [152]

#### (Specify size/type) OUTLET

\_\_\_ IC Inside Caulk  
\_\_\_ IP Threaded  
\_\_\_ NH No-Hub  
\_\_\_ NL Neo-Loc  
\_\_\_ NL Neo-Loc

#### 'E' BODY HT. DIM.

5-1/4 [133]  
3-3/4 [95]  
5-1/4 [133]  
4-5/8 [117]  
5-7/16 [138]

#### PREFIXES

\_\_\_ Z D.C.C.I. Body with Poly-Dome\*  
\_\_\_ ZA D.C.C.I. Body with Aluminum Dome  
\_\_\_ ZC D.C.C.I. Body with Cast Iron Dome

#### SUFFIXES

|   |  |
|---|--|
| ___ -AC Angular Underdeck Clamp                               | ___ -R Roof Sump Receiver  |
| ___ -AR Acid Resistant Epoxy Coated                           | ___ -SC Secondary Clamping Collar  |
| ___ -C Underdeck Clamp  | ___ -ST Dome w/ Solid Top (ZA and ZC Only)                                   |
| ___ -DE Deck Extension (Includes Deck Plate -DP)              | ___ -TC Neo-Loc Test Cap Gasket<br>(2,3,4 [51,76,102] NL Bottom Outlet Only) |
| ___ -DP Top-Set® Roof Deck Plate<br>(Replaces both -C and -R) | ___ -VP Vandal Proof Secured Top   |
| ___ -DR Top-Set® Drain Riser                                  | ___ -W2 2 [51] Internal Water Dam  |
| ___ -E Static Extension 1 [25] thru 4 [102] (Specify Ht.)     | ___ -W3 3 [76] Internal Water Dam  |
| ___ -G Galvanized Cast Iron                                   | ___ -W4 4 [102] Internal Water Dam   |
|   | ___ -85 Stainless Steel Perforated Extension                                 |

\* Regularly furnished unless otherwise specified.