



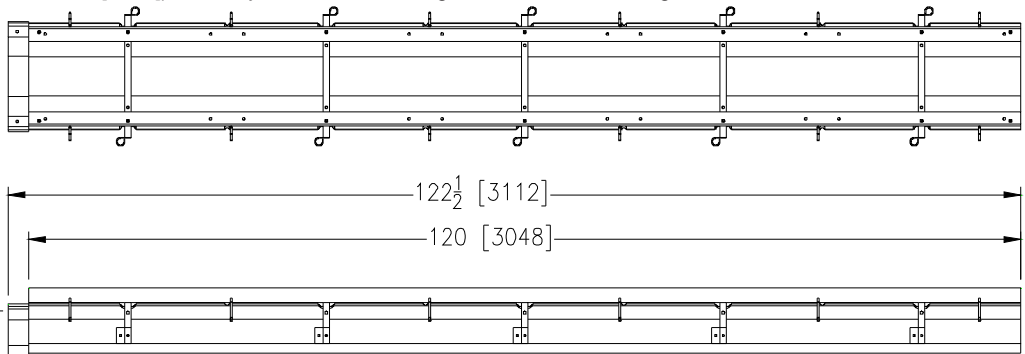
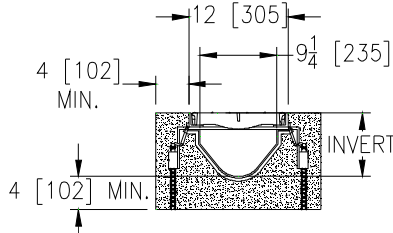
Z812-HDG

12 [305] WIDE REVEAL FIBER REINFORCED POLYMER TRENCH DRAIN SYSTEM WITH GALVANIZED STEEL FRAME

TAG _____

Dimensional Data (inches and [mm]) are Subject to Manufacturing Tolerances and Change Without Notice

SPECIFYING ENGINEER IS RESPONSIBLE FOR CONCRETE ENCASEMENT AND REINFORCING BASED UPON APPLICATION AND LOCAL CODES



NOTE: + Actual Channel length is 122½ [3112] to allow for overlap.

ENGINEERING SPECIFICATION: Zurn Z812-HDG

Channels shall be 120 [3048] long, 12 [305] wide reveal and have a 9-1/4 [235] throat. Modular channel sections shall be made of Fiber Reinforced Polymer (FRP). Shall have a positive mechanical connection between channel sections that will not separate during the installation and shall mechanically lock into the concrete surround every 12 [305]. Channels shall weigh less than 5.05 lbs.[2.29kg] per linear foot, have a smooth, 3 [76] radiused self cleaning bottom with a Manning's coefficient of .009 and 1.04% or neutral 0% built in slope. Channels shall have all grates locked down. Shall be provided with the standard GDC grate that locks down to the frame. Zurn 12 [305] wide reveal Galvanized Ductile Iron Slotted Grate. Ductile Iron conforms to ASTM specification A536-84, Grade 80-55-06. Galvanized Ductile Iron grate is rated class C per the DIN EN1433 top load classifications. Supplied in 24 [608] nominal lengths with 13/16 [21] wide slots, and 1-1/2 [38] bearing depth. Grate has an open area of 80.8 sq. in per ft.[171,027 sq. mm per meter]. The 1/4 [6] thick Galvanized Carbon Steel Frame Assembly conforms to ASTM specification A36 and Galvanizing conforms to ASTM specification A123 with 12-4 [102] long concrete anchor bars per 120 [3048]. Grate lockdown bars are integral to the frame. All welds must be performed by a certified welder per ASTM standard AWS D1.1. Frames Shall be produced in the USA.

PREFIX OPTIONS (Check/specify appropriate options)

- Z Ten-foot Fiber Reinforced Polymer (FRP) Channel *
- ZV Ten-foot Fiber Reinforced Vinylester Channel

SUFFIX OPTIONS (Check/specify appropriate options)

Outlet Adapters Add/Each

- E1 Closed End Cap
- E4 4 [102] No-Hub End Outlet
- E6 6 [152] No-Hub End Outlet
- E8 8 [203] No-Hub End Outlet
- U4 4 [102] No-Hub Bottom Outlet
- U6 6 [152] No-Hub Bottom Outlet
- U8 8 [203] No-Hub Bottom Outlet

Frame Options

- SW Sidewall Extensions - 10-3/4 [273] High

Grate Options (Load Classifications are per DIN EN1433)

- DC Ductile Iron Solid Cover - Class C
- DGC Ductile Iron Slotted Grate - Class C
- DGE Ductile Iron Slotted Grate - Class E
- DGF Ductile Iron Slotted Grate - Class F
- GDC Galvanized Ductile Slotted Grate - Class C *
- GDE Galvanized Ductile Slotted Grate - Class E
- GDF Galvanized Ductile Slotted Grate - Class F
- GHPDE Galvanized Heel-Proof Ductile Slotted Grate - Class E
- HPD Heel-Proof Ductile Slotted Grate - Class C
- HPDE Heel-Proof Ductile Slotted Grate - Class E

- RFGC Reinforced Slotted Galvanized Grate - Class C
- RPGC Reinforced Perforated Galvanized Grate - Class C
- RPGRC Reinforced Perforated Galvanized Reverse Punch Grate - Class C

Miscellaneous Options

- JC Joint Connector
- RC Rebar Clip (Set of 2)
- VP Vandal-Proof Lockdown

Trench No.	'A' Shallow Inv.	'B' Deep Inv.	Flow		
			(cfs)	(gpm)	(lps)
2001	6.25 [159]	7.50 [191]	1.299	583	37
2002	7.50 [191]	8.75 [222]	1.910	857	54
2002N	8.75 [222]	8.75 [222]	-	-	-
2003	8.75 [222]	10.00 [254]	2.548	1144	72
2004	10.00 [254]	11.25 [286]	3.205	1438	91
2004N	11.25 [286]	11.25 [286]	-	-	-
2005	11.25 [286]	12.50 [318]	3.874	1739	110
2006	12.50 [318]	13.75 [349]	4.552	2043	129
2007	13.75 [349]	15.00 [381]	5.236	2350	148
2008	15.00 [381]	16.25 [413]	5.925	2659	168
2008N	16.25 [413]	16.25 [413]	-	-	-
2009	16.25 [413]	17.50 [445]	6.619	2970	187
2010	17.50 [445]	18.75 [476]	7.315	3283	207

MADE in the U.S.A.

- ADA-USA Meets Americans with Disabilities Act Requirements - Class C
- BG Galvanized Steel Bar Grate - Class D
- DGC-USA Ductile Iron Slotted Grate - Class C
- DGE-USA Ductile Iron Slotted Grate - Class E
- FG Fabricated Galvanized Steel Slotted Grate - Class A
- GADA-USA Galvanized Ductile ADA Slotted Grate - Class C
- GDC-USA Galvanized Ductile Slotted Grate - Class C
- GDE-USA Galvanized Ductile Slotted Grate - Class E
- GHPDE-USA Galvanized Ductile Slotted Grate - Class E
- HPDE-USA Heel-Proof Ductile Slotted Grate - Class E
- PG Perforated Galvanized Steel Grate - Class A
- RFG Reinforced Galvanized Slotted Grate - Class B
- RPG Reinforced Galvanized Perforated Grate - Class B Class B

Miscellaneous Options

- DB Bottom Dome Strainer

REV. E DATE: 5/8/12 C.N. NO. 124231

PROD/DWG.NO. Z812-HDG

*REGULARLY FURNISHED UNLESS OTHERWISE SPECIFIED