

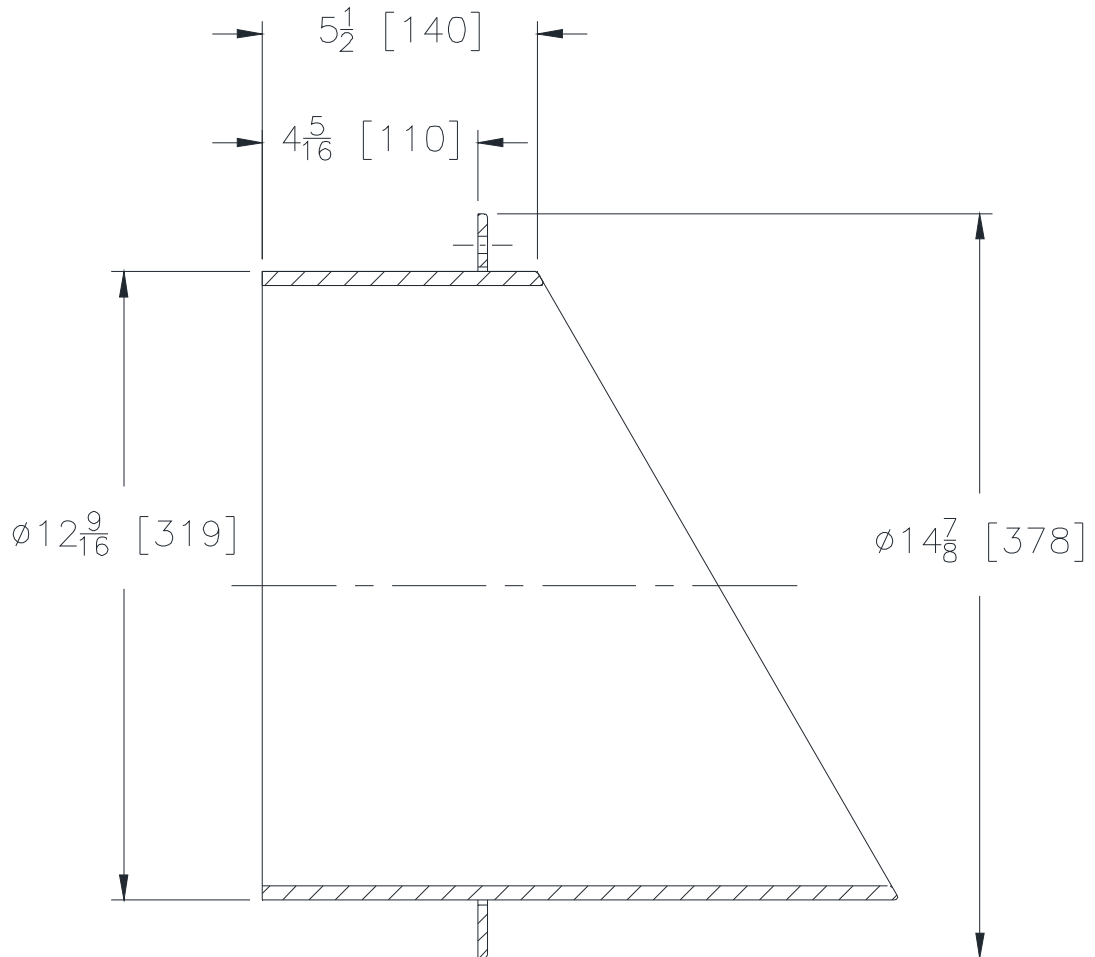


**Z199-97**  
**12 [305] DOWNSPOUT NOZZLE**

SPECIFICATION SHEET

TAG \_\_\_\_\_

Dimensional Data (inches and [ mm ]) are Subject to Manufacturing Tolerances and Change Without Notice



**ENGINEERING SPECIFICATION: ZURN Z199-97**

12.56 [319] Downspout Nozzle, fabricated stainless steelbody and wall flange.

\*REGULARLY FURNISHED UNLESS OTHERWISE SPECIFIED

REV. DATE: 01/16/13 C.N. NO. 128691

DWG. NO. 311217 PRODUCT NO. Z199-97

ZURN INDUSTRIES, INC. ♦ SPECIFICATION DRAINAGE OPERATION ♦ 1801 Pittsburgh Ave. ♦ Erie, PA 16514

Phone: 814/455-0921 ♦ Fax: 814/454-7929 ♦ World Wide Web: www.zurn.com

In Canada: ZURN INDUSTRIES LIMITED ♦ 3544 Nashua Drive ♦ Mississauga, Ontario L4V1L2 ♦ Phone: 905/405-8272 Fax: 905/405-1292