



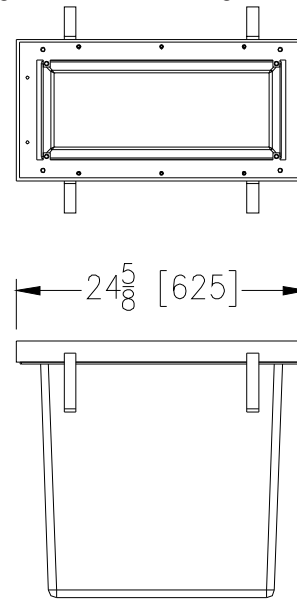
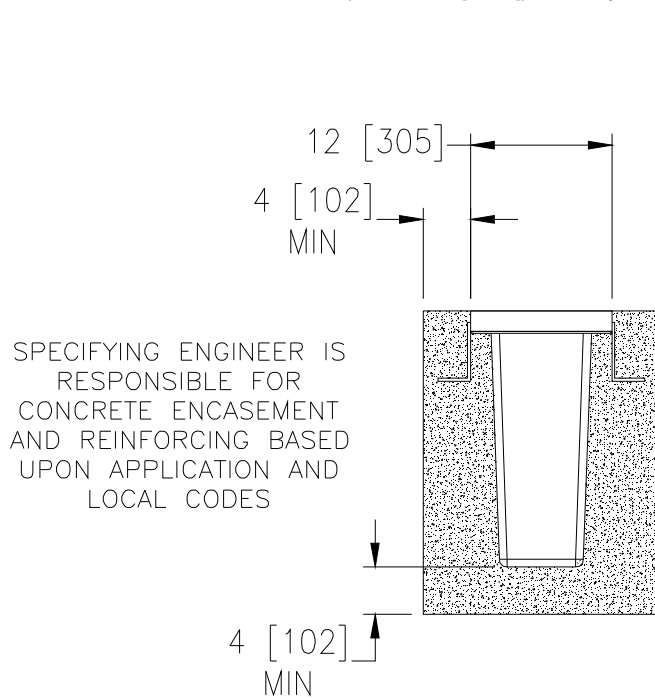
# Z817-12-HDS

SPECIFICATION SHEET

12 [305] x 24 [610] WIDE REVEAL FIBER REINFORCED POLYMER CATCH BASIN WITH STAINLESS STEEL FRAME

TAG \_\_\_\_\_

Dimensional Data (inches and [ mm ]) are Subject to Manufacturing Tolerances and Change Without Notice



NOTE: + Actual Channel length is 24 5/8 [625].

### ENGINEERING SPECIFICATION: Zurn Z817-12-HDS

Catch Basin shall be 12 [305] wide reveal, 24-5/8 [625] long and 24 [610] deep. Catch basin shall be made of 0% water absorbent Fiber Reinforced Polyester (FRP) fiberglass. Shall mechanically lock into the concrete surround. Basin shall weigh less than 14.6 lbs. [6.6 kg]. Catch basin shall have rebar clips standard to secure basin in its final location. Shall be provided with standard RFS grates that lock down to frame. The Zurn P12-RFS, Reinforced Stainless Steel, is 11-1/4 [286] inches wide by 24 [610] inches long, weighing 12.2 lbs per linear foot conforming to ASTM specification A-240, (type 304). The grate has an open area of 25.6 square inches per linear foot, DIN Rating of B, ANSI Rating of Medium Duty. The 1/4 [6] thick Heavy-Duty Stainless Steel Frame Assembly conforms to ASTM specification A-240 (type 304) with 4 - 4 [102] long concrete anchors per basin. All welds must be performed by a certified welder per ASTM standard AWS D1.6. Frames Shall be produced in the U.S.A.

### PREFIX OPTIONS (Check/specify appropriate options)

- Z 12-inch by 24-inch Fiber Reinforced Polymer (FRP)\*
- ZV 12-inch by 24-inch Fiber Reinforced Vinylester

### SUFFIX OPTIONS (Check/specify appropriate options)

#### Outlet Adapters Add/Each

- E4 4 [102] No-Hub End Outlet
- E6 6 [152] No-Hub End Outlet
- E8 8 [204] No-Hub End Outlet
- U4 4 [102] No-Hub Bottom Outlet
- U6 6 [152] No-Hub Bottom Outlet
- U8 8 [204] No-Hub Bottom Outlet

### Grate Options (Load Classifications are per DIN EN1433)

- BDC Black Acid Resistant Epoxy Coated Ductile Grate - Class C
- BDE Black Acid Resistant Epoxy Coated Ductile Grate - Class E
- DC Ductile Iron Solid Cover - Class C
- DGC Ductile Iron Slotted Grate - Class C
- DGE Ductile Iron Slotted Grate - Class E
- DGF Ductile Iron Slotted Grate - Class F
- HPD Heel-Proof Ductile Slotted Grate - Class C
- HPDE Heel-Proof Ductile Slotted Grate - Class E
- RFSC Reinforced Slotted Stainless Steel Grate - Class C

- RPSC Reinforced Perforated Stainless Steel Grate - Class C
- RPSRC Reinforced Perforated Stainless Steel Reversed Punch Grate - Class C

### Miscellaneous Options

- IA Inlet Adapter - Z806
- IA Inlet Adapter - Z812

### MADE in the U.S.A. (Load Classifications are per DIN EN1433)

- ADA-USA Meets Americans with Disabilities Act Requirements - Class C
- DGC-USA Ductile Iron Slotted Grate - Class C
- DGE-USA Ductile Iron Slotted Grate - Class E
- FS Fabricated Stainless Steel Slotted Grate - Class A
- HPDE-USA Heel-Proof Ductile Slotted Grate - Class E
- PS Perforated Stainless Steel Grate - Class A
- RFS Reinforced Stainless Steel Slotted Grate - Class B \*
- RPS Reinforced Perforated Stainless Steel Grate - Class B
- SBG-L Stainless Steel Bar Grate - Class C

### MADE in the U.S.A. (Load Classifications are per DIN EN1433)

#### Miscellaneous Options

- DB Bottom Dome Strainer
- FT Foul Air Trap
- VP Vandal-Proof Lockdown
- Y Sediment Bucket

\*REGULARLY FURNISHED UNLESS OTHERWISE SPECIFIED

REV. C DATE: 5/8/12 C.N. NO. 124239

PROD./DWG. NO. Z817-12-HDS