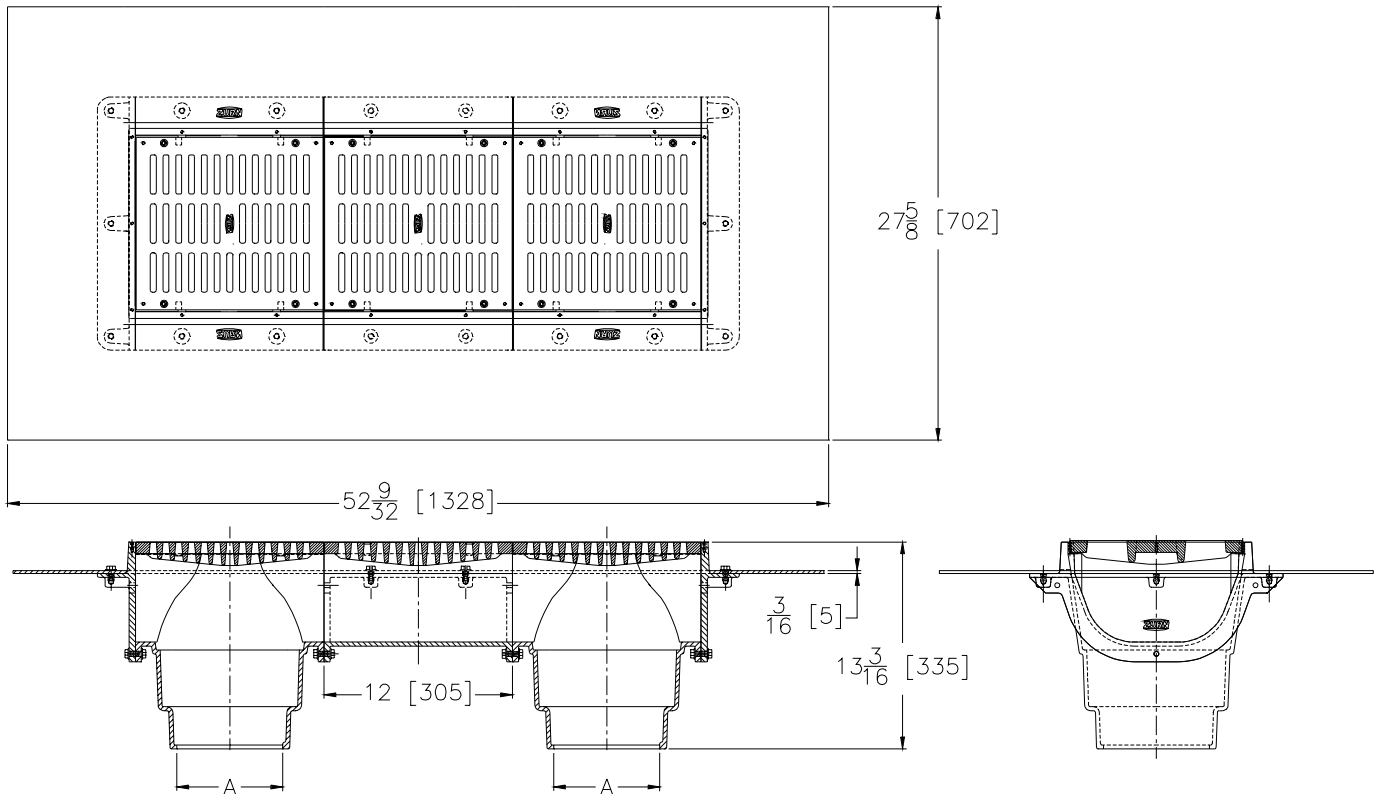




# Z-665-86

## 12" [305] WIDE MODULAR TRENCH DRAIN HEAVY DUTY

Dimensional Data (inches and [ mm ]) are Subject to Manufacturing Tolerances and Change Without Notice



A- Pipe Size In.	Approx. Wt. Lbs. [kg]	Grate Open Area Sq. In. [cm <sup>2</sup> ]
2-3-4 [50-75-100]	100 [45]	102 [697]
5-6 [125-150]	110 [50]	

**ENGINEERING SPECIFICATION Z-665-86** 12 [305] Wide flange modular trench drain, Dura-Coated cast iron deep sump bodies with bottom outlet. Both 12 [305] long outlet modules and 12 [305] extension module are complete with integral seepage pan and heavy duty loose slotted grate.

**OPTIONS** (Check/specify appropriate options)

**PIPE SIZE**

- 2 thru 6 [50 thru 150]
- 2 thru 4, 6 [50, 100, 150]
- 2 thru 4 [50, 100, 150]

(Specify size/type) **OUTLET**

- \_\_\_ IC Inside Caulk
- \_\_\_ IG Inside Caulk w/Sealtrol Gskt.
- \_\_\_ NL Neo-Loc

**'E' BODY HT. DIM.**

- 13 3/16 [335]
- 13 3/16 [335]
- 12 1/2 [318]

**PREFIXES**

- \_\_\_ Z- D.C.C.I. Body and Grate\*
- \_\_\_ ZB- D.C.C.I Body w/Polished Bronze Top (Add 1/8 [3] to 'E' and 2 [51] Dim.)
- \_\_\_ ZN- D.C.C.I Body w/Polished Stainless Steel Top Frame and Grate (Add 1/8 [3] to 'E' and 2 [51] Dim.)

**SUFFIXES**

- \_\_\_ -AR Acid Resisting Epoxy Coated Cast Iron
- \_\_\_ -DB Bottom Dome Strainer
- \_\_\_ -DG Duresist Grate
- \_\_\_ -G Galvanized Cast Iron
- \_\_\_ -HP Heelproof Grate
- \_\_\_ -TS Top Secured With Slotted Screws
- \_\_\_ -VP Vandal Proof Secured Top
- \_\_\_ -Y Sediment Bucket

\*REGULARLY FURNISHED UNLESS OTHERWISE SPECIFIED

REV.	DATE: 06/05/96	C.N. NO. 75167
DWG. NO. P-14343		PRODUCT NO. Z-665-86